



COAXIAL

Fixed Slope Equalizer

ZEQ-18-24-S+

50Ω 0.5 to 18 GHz SMA Male/Female

KEY FEATURES

- 23 dB Slope
- Insertion Loss, 26 dB Typ. at 0.5 GHz
- Insertion Loss, 2.8 dB Typ. at 18 GHz
- Return Loss, 13.5 dB Typ.

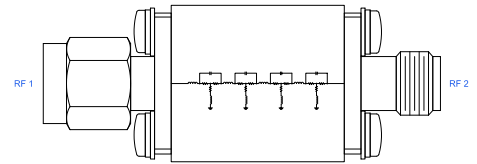


Generic photo used for illustration purposes only

APPLICATIONS

- Aerospace and Defense
- Test and Measurement
- General

FUNCTIONAL DIAGRAM



PRODUCT OVERVIEW

Mini-Circuits' ZEQ-18-24-S+ is a broadband, connectorized slope equalizer, with a slope of 23 dB typ. over the range of 0.5 to 18 GHz. The model is bi-directional and offers excellent electrical performance and operates over a wide temperature range of -55°C to +100°C.

ELECTRICAL SPECIFICATIONS AT +25°C, 50Ω

Parameter	Frequency (GHz)	Min.	Typ.	Max.	Units
Frequency Range		0.5	—	18	GHz
Insertion Loss	0.5	24	26	28	dB
	6	19	21	23	
	10	12.5	14	15.5	
	14	6.2	7.2	8.2	
	16	—	4.7	—	
	18	—	2.8	—	
Return Loss	0.5 - 18	—	13.5	—	dB

ABSOLUTE MAXIMUM RATINGS¹

Operating Case Temperature	-55°C to +100°C
Storage Temperature	-55°C to +100°C
Input Power ²	+33 dBm (5-minute max)
	+30 dBm (continuous)

1. Permanent damage may occur if any of these limits are exceeded.
2. Derate linearly to +29 dBm at +100°C.

REV. OR
ECO-028749
ZEQ-18-24-S+
EDU5262
MCINU
260311





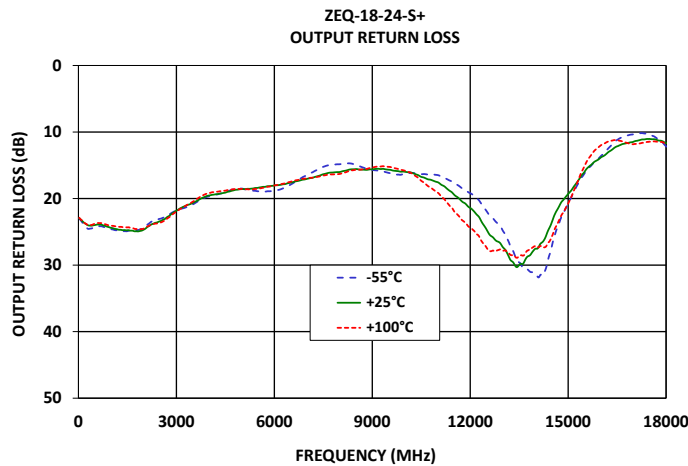
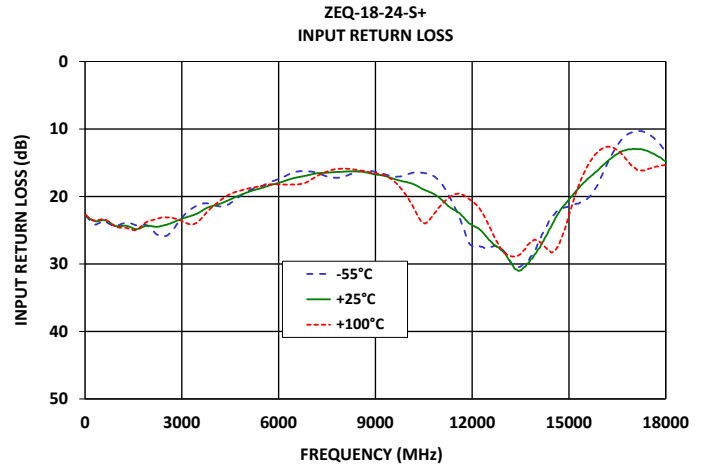
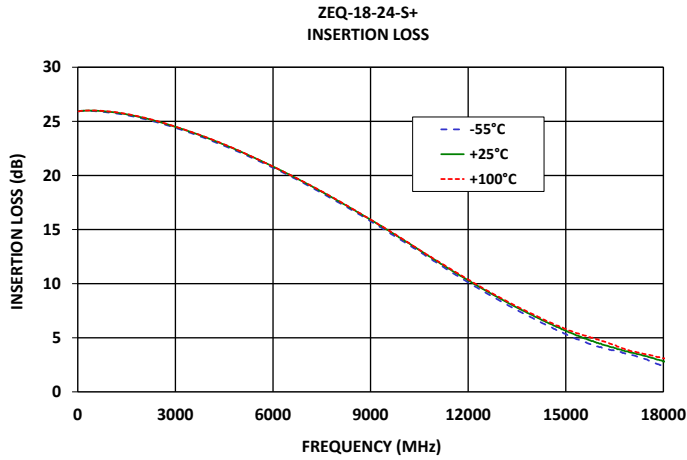
COAXIAL

Fixed Slope Equalizer

ZEQ-18-24-S+

50Ω 0.5 to 18 GHz SMA Male/Female

TYPICAL PERFORMANCE GRAPHS





COAXIAL

Fixed Slope Equalizer

ZEQ-18-24-S+

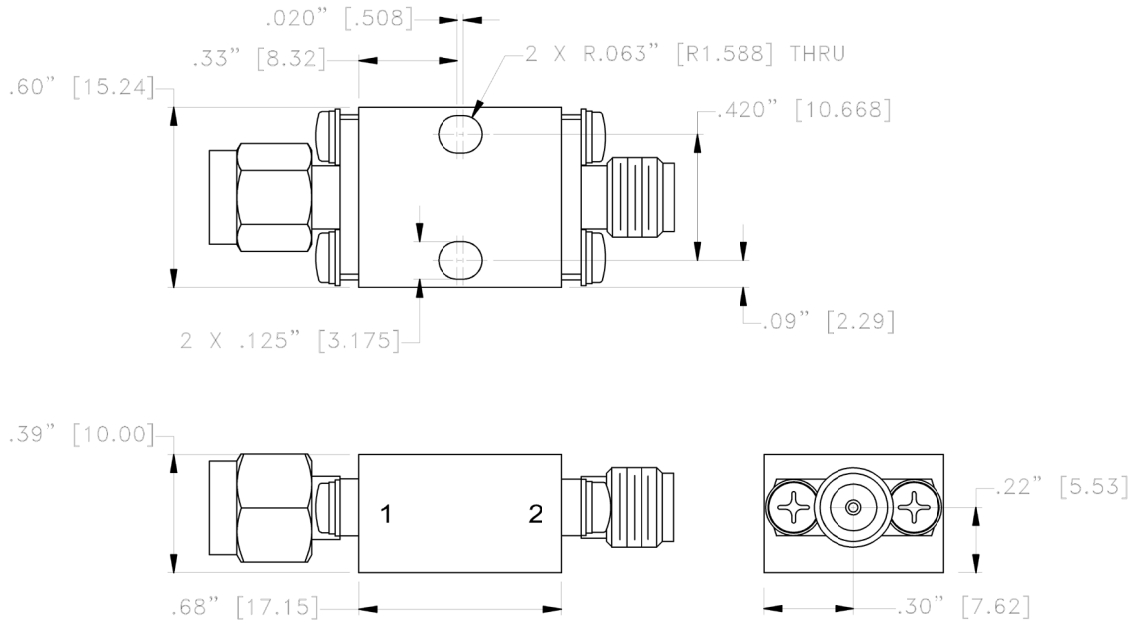
50Ω 0.5 to 18 GHz SMA Male/Female

COAXIAL CONNECTIONS

Description	RF1 PORT ³	RF2 PORT ³
Connector Type	SMA Male	SMA Female

3. Bi-directional RF1 & RF2 ports can be interchanged. See S-Parameters for actual performance.

CASE STYLE DRAWING



Weight: 24 grams

Dimensions are in inches (mm). Tolerances: 2Pl ± .050 [1.27]; 3Pl ± .015 [.38]

PRODUCT MARKING*: ZEQ-18-24-S+

*Marking may contain other features or characters for internal lot control.





COAXIAL

Fixed Slope Equalizer

ZEQ-18-24-S+

 Mini-Circuits

50Ω 0.5 to 18 GHz SMA Male/Female

ADDITIONAL INFORMATION IS AVAILABLE ON OUR DASHBOARD

[CLICK HERE](#)

Performance Data & Graphs	Data Graphs S-Parameter (S2P Files) Data Set (.zip file)
Case Style	UK3042-1
RoHS Status	Compliant
Environmental Ratings	ENV46

NOTES

- A. Performance and quality attributes and conditions not expressly stated in this specification document are intended to be excluded and do not form a part of this specification document.
- B. Electrical specifications and performance data contained in this specification document are based on Mini-Circuit's applicable established test performance criteria and measurement instructions.
- C. The parts covered by this specification document are subject to Mini-Circuits standard limited warranty and terms and conditions (collectively, "Standard Terms"); Purchasers of this part are entitled to the rights and benefits contained therein. For a full statement of the standard terms and the exclusive rights and remedies thereunder, please visit Mini-Circuits' website at www.minicircuits.com/terms/viewterm.html

