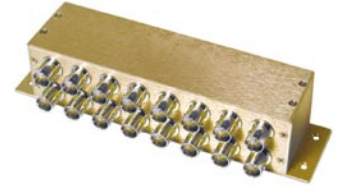


Coaxial Power Splitter/Combiner

16 Way-0° 75Ω 1 to 150 MHz

ZFSC-16-1-75+
ZFSC-16-1-75



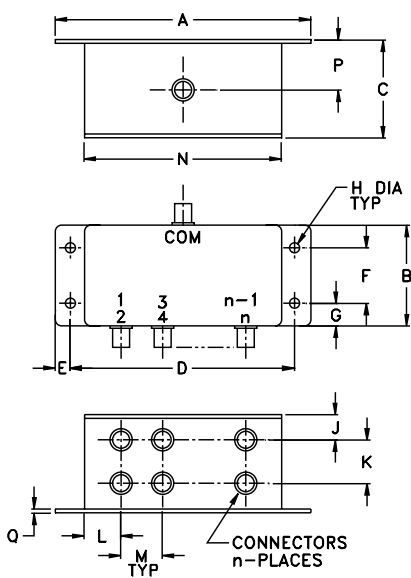
Maximum Ratings

Operating Temperature	-55°C to 100°C
Storage Temperature	-55°C to 100°C
Power Input (as a splitter)	1W max.
Internal Dissipation	0.87W max.

Coaxial Connections

SUM PORT	S(COM)
PORT 1,2,3,.....,16	1,2,3,.....,16

Outline Drawing



Outline Dimensions (inch/mm)

A	B	C	D	E	F	G	H
6.69	1.60	1.50	6.22	.24	.88	.36	.160
169.93	40.64	38.10	157.99	6.10	22.35	9.14	4.06
J	K	L	M	N	P	Q	wt.
.40	.69	.55	.66	5.72	.81	.06	grams
10.16	17.53	13.97	16.76	145.29	20.57	1.52	500

Features

- low insertion loss, 0.7 dB typ.
- high isolation, 30 dB typ.
- excellent amplitude unbalance, 0.2 dB typ.
- rugged shielded case

Applications

- HF/VHF
- communication systems
- instrumentation

CASE STYLE: R30

Connectors	Model	Price	Qty.
BNC	ZFSC-16-1-75(+)	\$182.95	(1-9)

+ RoHS compliant in accordance with EU Directive (2002/95/EC)

The +Suffix identifies RoHS Compliance. See our web site for RoHS Compliance methodologies and qualifications.

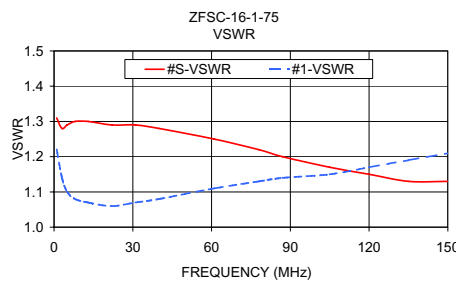
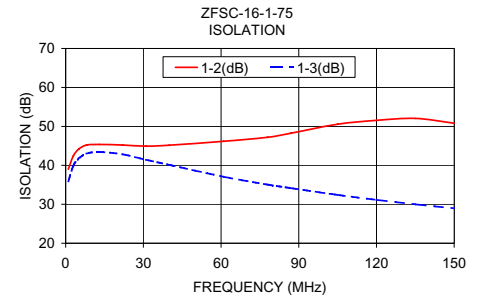
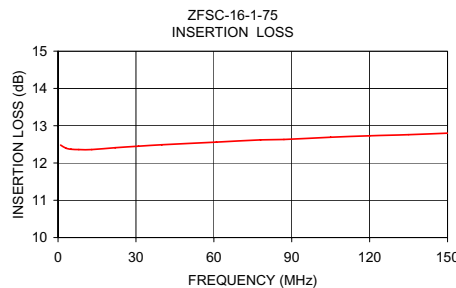
Splitter Electrical Specifications

FREQ. RANGE (MHz)	ISOLATION (dB)						INSERTION LOSS (dB) ABOVE 12 dB						PHASE UNBALANCE (Degrees)			AMPLITUDE UNBALANCE (dB)		
	L		M		U		L		M		U		L	M	U	L	M	U
	Typ.	Min	Typ.	Min	Typ.	Min	Typ.	Max.	Typ.	Max.	Typ.	Max.	Max.	Max.	Max.	Max.	Max.	Max.
1-150	30	25	30	25	25	20	0.8	1.1	0.7	1.1	1.0	1.3	3	6	10	0.4	0.2	0.4

L = low range [f_L to $10 f_L$] M = mid range [$10 f_L$ to $f_U/2$] U = upper range [$f_U/2$ to f_U]

Typical Performance Data

Freq. (MHz)	Insertion Loss (dB)	Amplitude Unbalance (dB)	Isolation (dB)		Phase Unbalance (deg.)	VSWR S	VSWR 1
			Adjacent	Opposite			
			S-1				
1.00	12.48	0.26	39.02	35.90	1.42	1.31	1.22
3.00	12.40	0.18	42.46	39.97	0.90	1.28	1.14
5.00	12.37	0.15	44.14	41.72	0.75	1.29	1.10
8.00	12.36	0.14	45.18	43.00	0.65	1.30	1.08
13.00	12.36	0.13	45.36	43.42	0.66	1.30	1.07
22.00	12.41	0.11	45.22	42.83	0.75	1.29	1.06
31.00	12.45	0.07	44.91	41.43	0.84	1.29	1.07
40.00	12.49	0.07	45.16	40.14	0.85	1.28	1.08
61.00	12.56	0.08	46.17	37.07	0.95	1.25	1.11
78.00	12.62	0.07	47.21	35.06	0.98	1.22	1.13
87.00	12.63	0.10	48.26	34.15	0.94	1.20	1.14
105.00	12.69	0.10	50.55	32.42	0.99	1.17	1.15
120.00	12.73	0.11	51.55	31.15	0.96	1.15	1.17
135.00	12.76	0.13	52.04	30.00	1.07	1.13	1.19
150.00	12.80	0.14	50.80	28.97	1.18	1.13	1.21



electrical schematic

