

Coaxial Power Splitter/Combiner

ZFSC-24-11

24 Way-0° 50Ω 1 to 200 MHz

Maximum Ratings

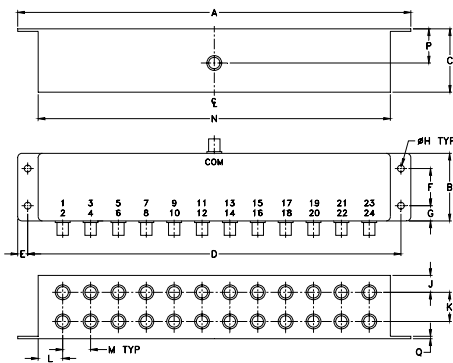
Operating Temperature	-55°C to 100°C
Storage Temperature	-55°C to 100°C
Power Input (as a splitter)	1W max.
Internal Dissipation	0.87W max.

Permanent damage may occur if any of these limits are exceeded.

Coaxial Connections

SUM PORT	S (COM)
PORT 1,2,3,4.....,24	1,2,3,4.....,24

Outline Drawing



Outline Dimensions (inch/mm)

A	B	C	D	E	F	G	H
9.31	1.60	1.50	8.84	.24	.88	.36	.160
236.47	40.64	38.10	224.54	6.10	22.35	9.14	4.06
J	K	L	M	N	P	Q	wt.
.40	.69	.54	.66	8.34	.81	.06	grams
10.16	17.53	13.72	16.76	211.84	20.57	1.52	490.0

Features

- rugged shielded case
- good isolation, 22 dB typ.

Applications

- HF/VHF
- test set-ups
- instrumentation



Generic photo used for illustration purposes only

BNC version shown

CASE STYLE: R31

Connectors	Model
BNC	ZFSC-24-11
SMA	ZFSC-24-11-S

Electrical Specifications

FREQ. RANGE (MHz)	ISOLATION (dB)						INSERTION LOSS (dB) ABOVE 13.8 dB						AMPLITUDE UNBALANCE (dB)		
	L		M		U		L		M		U		L	M	U
	Typ.	Min.	Typ.	Min.	Typ.	Typ.	Typ.	Max.	Typ.	Max.	Typ.	Max.	Max.	Max.	Max.
1-200	33	25	22	20	20	17	0.9	1.7	1.0	1.8	1.3	2.2	0.6	0.8	0.8

L = low range [f_L to $10 f_L$] M = mid range [$10 f_L$ to $f_U/2$] U = upper range [$f_U/2$ to f_U]

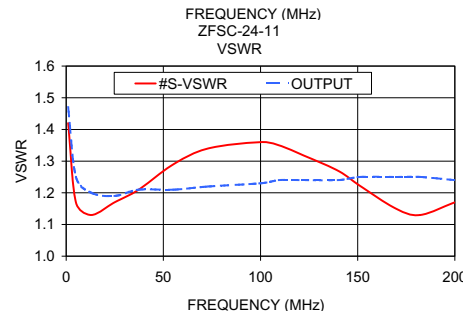
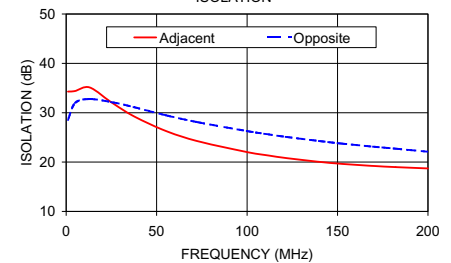
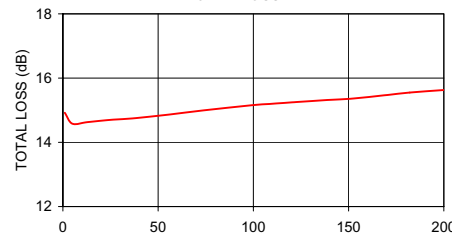
Typical Performance Data

Freq. (MHz)	Total Loss ¹ (dB)	Amplitude Unbalance (dB)	Isolation (dB)		VSWR S	VSWR OUTPUT
			Adjacent	Opposite		
			S-1			
1.00	14.92	0.03	34.27	28.56	1.42	1.47
5.00	14.58	0.01	34.41	31.97	1.17	1.25
12.90	14.63	0.02	35.13	32.76	1.13	1.20
24.90	14.70	0.03	32.14	32.17	1.17	1.19
37.30	14.75	0.04	29.30	31.14	1.21	1.21
55.20	14.86	0.03	26.29	29.48	1.29	1.21
73.10	14.99	0.03	24.20	28.05	1.34	1.22
100.00	15.16	0.04	22.02	26.27	1.36	1.23
109.50	15.20	0.04	21.45	25.74	1.35	1.24
121.40	15.25	0.05	20.83	25.11	1.32	1.24
139.80	15.32	0.05	20.05	24.27	1.27	1.24
151.70	15.36	0.07	19.66	23.77	1.22	1.25
169.70	15.47	0.07	19.22	23.12	1.15	1.25
182.10	15.55	0.08	18.98	22.71	1.13	1.25
200.00	15.63	0.09	18.71	22.10	1.17	1.24

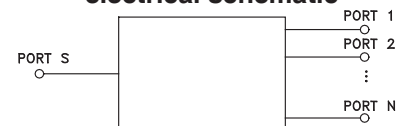
ZFSC-24-11
TOTAL LOSS

1. Total Loss = Insertion Loss + 13.8dB splitter loss.

ZFSC-24-11
ISOLATION



electrical schematic



Notes

- Performance and quality attributes and conditions not expressly stated in this specification document are intended to be excluded and do not form a part of this specification document.
- Electrical specifications and performance data contained in this specification document are based on Mini-Circuit's applicable established test performance criteria and measurement instructions.
- The parts covered by this specification document are subject to Mini-Circuits standard limited warranty and terms and conditions (collectively, "Standard Terms"); Purchasers of this part are entitled to the rights and benefits contained therein. For a full statement of the Standard Terms and the exclusive rights and remedies thereunder, please visit Mini-Circuits' website at www.minicircuits.com/WCLStore/terms.jsp

