

Coaxial High Isolation Switch

ZFSWHA-1-20+

50Ω SPST, Absorptive DC⁴ to 2000 MHz



CASE STYLE: J17

Connectors Model
SMA ZFSWHA-1-20+
BRACKET (OPTION "B")

Maximum Ratings

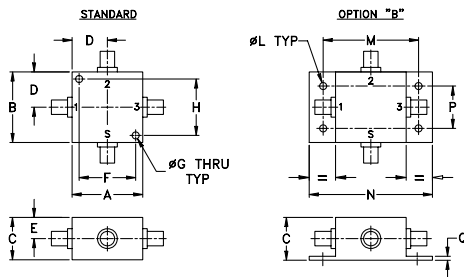
Operating Temperature	-55°C to 100°C
Storage Temperature	-55°C to 150°C
RF Input Power	see Table
Control Current	500 μA Typ. at V _c =-9 to -12V

Permanent damage may occur if any of these limits are exceeded.

Coaxial Connections

RF IN	2
RF OUT	3
CONTROL 1	1
CONTROL 2	S

Outline Drawing



Outline Dimensions (inch/mm)

A	B	C	D	E	F	G	H
1.25	1.25	.75	.63	.38	1.000	.125	1.000
31.75	31.75	19.05	16.00	9.65	25.40	3.18	25.40
J	K	L	M	N	P	Q	wt
--	--	.125	1.688	2.18	.75	.07	grams
--	--	3.18	42.88	55.37	19.05	1.78	75.0

Features

- wideband, DC to 2000 MHz
- low insertion loss, 1.3 dB typ.
- low video leakage 30 mVp-p typ.
- very fast switching

Applications

- PCN
- cellular
- antenna switching

+RoHS Compliant
 The +Suffix identifies RoHS Compliance. See our web site for RoHS Compliance methodologies and qualifications

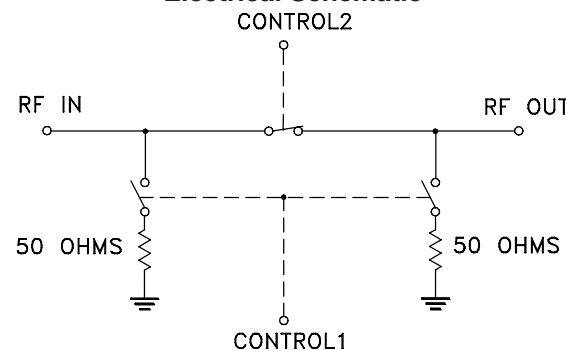
Electrical Specifications

Parameter	Condition (MHz)	Min	Typ.	Max	Units
Frequency ⁴		DC	-	2000	MHz
Insertion Loss	DC to 100 MHz	-	0.8	1.2	dB
	100 to 1000 MHz	-	1.3	1.7	
	1000 to 2000 MHz	-	1.3	1.7	
1dB Compression ¹	DC to 100 MHz	-	19	-	dBm
	100 to 1000 MHz	-	19	-	
	1000 to 2000 MHz	-	26	-	
Isolation (In to Out) ²	DC to 100 MHz	60	75	-	dB
	100 to 1000 MHz	58	65	-	
	1000 to 2000 MHz	58	65	-	
VSWR - RF IN and RF OUT (ON STATE)	DC to 200 MHz	-	-	1.25	: 1
	200 to 2000 MHz	-	-	1.5	
VSWR - RF IN (OFF STATE)	DC to 200 MHz	-	-	1.25	: 1
	200 to 2000 MHz	-	-	1.5	
VSWR - RF OUT (OFF STATE)	DC to 200 MHz	-	-	1.4	: 1
	200 to 2000 MHz	-	-	1.5	
Video Leakage ³		-	30	50	mV p-p
Rise / Fall Time	10 to 90%	-	3	5	nS
Switching Time – Turn On	50% Control to 90% RF	-	7	10	nS
		-	3	10	
Switching Time – Turn Off	50% Control to 10% RF	-	3	10	nS
		-	3	10	
Control Voltage (V _c)	Low	-0.2	-	0	V
	High	-8	-	-5	
Control Current	0 to -8V	-	-	200	μA
Max RF Input Power Steady State (not hot switching)	DC to 20 MHz	-	+23	-	dBm
	20 to 500 MHz	-	+30	-	
	500 to 2000 MHz	-	+33	-	
Max RF Input Power Hot Switching (as modulator)	DC to 20 MHz	-	+14.5	-	dBm
	20 to 500 MHz	-	+20	-	
	500 to 2000 MHz	-	+27	-	

CAUTION – IMPORTANT: RF PORTS MUST BE DC BLOCKED or HELD to 0V DC

1. 1dB Compression is specified at Control Voltage (V_c)=- 8V
2. Isolation is specified RF IN to RF OUT with Control Logic = Off
3. Video leakage or breakthrough is defined as leakage of switching control signal to RF output port
4. All RF connections must be DC blocked or held at 0V DC.

Electrical Schematic



CONTROL LOGIC		
Control Ports	RF outputs	
1	2	
-V	0	On
0	-V	Off

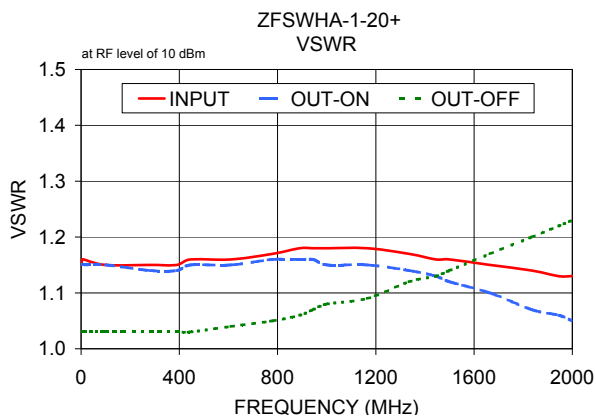
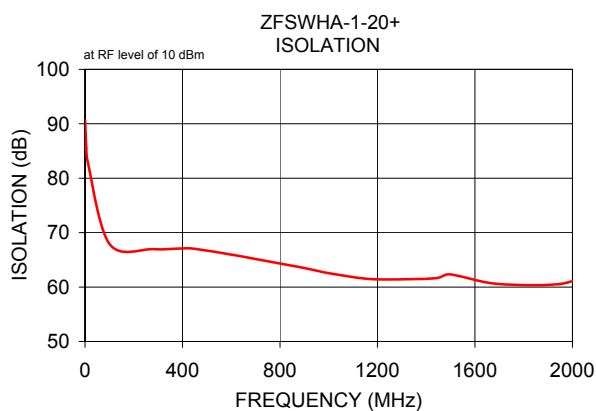
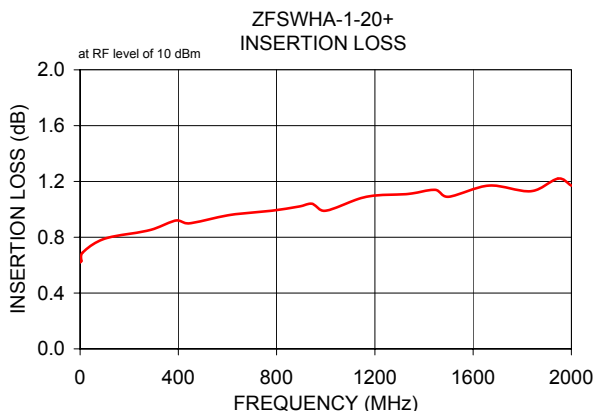
Notes

- Performance and quality attributes and conditions not expressly stated in this specification document are intended to be excluded and do not form a part of this specification document.
- Electrical specifications and performance data contained in this specification document are based on Mini-Circuit's applicable established test performance criteria and measurement instructions.
- The parts covered by this specification document are subject to Mini-Circuit's standard limited warranty and terms and conditions (collectively, "Standard Terms"); Purchasers of this part are entitled to the rights and benefits contained therein. For a full statement of the Standard Terms and the exclusive rights and remedies thereunder, please visit Mini-Circuit's website at www.minicircuits.com/WCLStore/terms.jsp



Typical Performance Data

FREQ. (MHz)	ON INSERTION LOSS (dB) (ctrl1 @ -8V, ctrl 2 @ 0V) IN-OUT		OFF ISOLATION (dB) (ctrl 1 @ 0V, ctrl 2 @ -8V) IN-OUT		VSWR		
	\bar{x}	σ	\bar{x}	σ	IN \bar{x}	OUT	
						ON \bar{x}	OFF \bar{x}
0.30	0.62	0.01	90.61	3.68	1.15	1.15	1.03
5.30	0.63	0.01	85.48	6.29	1.16	1.15	1.03
10.30	0.69	0.01	83.23	4.25	1.16	1.15	1.03
100.29	0.79	0.01	67.92	1.22	1.15	1.15	1.03
280.26	0.85	0.01	66.96	1.83	1.15	1.14	1.03
390.24	0.92	0.00	67.09	1.35	1.15	1.14	1.03
445.23	0.90	0.01	67.05	1.41	1.16	1.15	1.03
610.21	0.96	0.01	65.89	1.85	1.16	1.15	1.04
780.18	0.99	0.01	64.48	1.97	1.17	1.16	1.05
890.17	1.02	0.01	63.58	2.32	1.18	1.16	1.06
945.16	1.04	0.01	63.07	2.05	1.18	1.16	1.07
1000.15	0.99	0.00	62.55	1.47	1.18	1.15	1.08
1165.13	1.09	0.02	61.49	2.35	1.18	1.15	1.09
1335.10	1.11	0.02	61.45	1.70	1.17	1.14	1.12
1445.08	1.14	0.02	61.66	1.64	1.16	1.13	1.13
1500.08	1.09	0.02	62.32	2.10	1.16	1.12	1.14
1665.05	1.17	0.01	60.72	1.78	1.15	1.10	1.17
1835.03	1.13	0.01	60.34	0.70	1.14	1.07	1.20
1945.01	1.22	0.03	60.54	1.60	1.13	1.06	1.22
2000.00	1.17	0.01	61.08	1.47	1.13	1.05	1.23



Notes

- A. Performance and quality attributes and conditions not expressly stated in this specification document are intended to be excluded and do not form a part of this specification document.
- B. Electrical specifications and performance data contained in this specification document are based on Mini-Circuit's applicable established test performance criteria and measurement instructions.
- C. The parts covered by this specification document are subject to Mini-Circuits standard limited warranty and terms and conditions (collectively, "Standard Terms"); Purchasers of this part are entitled to the rights and benefits contained therein. For a full statement of the Standard Terms and the exclusive rights and remedies thereunder, please visit Mini-Circuits' website at www.minicircuits.com/MCLStore/terms.jsp

