



ZT-150 DC-18 GHz

High-Dynamic-Range VNA Expansion Module

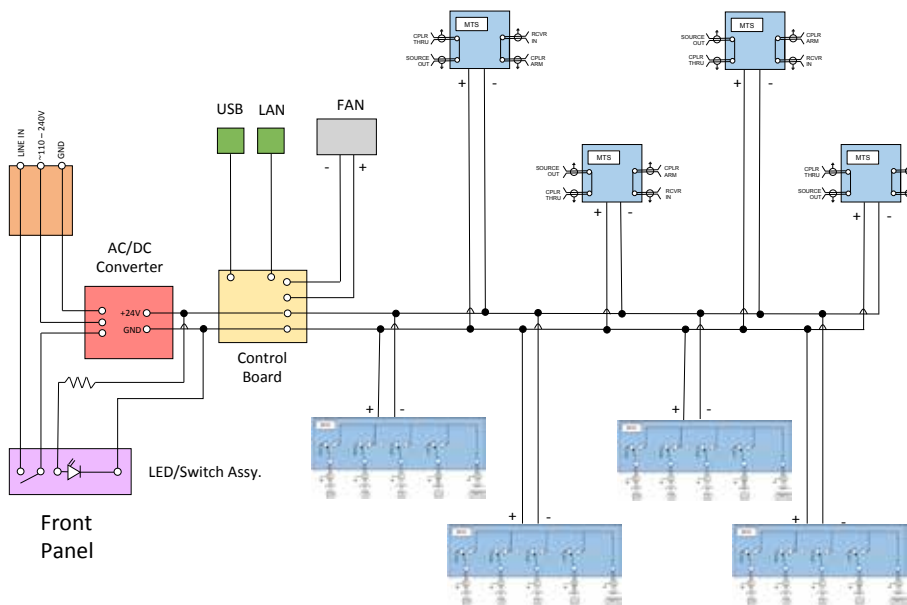
Functional Description

This innovative test unit converts your Agilent PNA-X[®] 4-port vector network analyzer to receive 16 RF inputs for measurement, dramatically increasing test efficiency and throughput. The ZT-150 may also route signals to bypass the network analyzer's coupling ports and increase the dynamic range by 30 dB, enabling very low power measurements, ideal for many test applications including measurement of high-rejection filters, very high isolation, and low cross-talk, among others.

Housed in a 2U, 19-inch rack-mountable case and specially designed to pair neatly with the PNA-X in your test rack, the ZT-150 can be controlled via USB or Ethernet connection for easy remote test management. Like all Mini-Circuits test equipment, it comes supplied with our user-friendly GUI software and a full set of DLLs with programming instructions to control the unit through your native test software. The ZT-150 provides a cost-effective solution to automating and multiplexing complex VNA measurements and improving the efficiency of your test setup.

¹ Agilent PNA-X is a trademark of Agilent Technologies, Inc. Neither Mini-Circuits nor the Mini-Circuits ZT-150 are affiliated with or endorsed by the owners of the above-referenced trademark.

Functional Schematic



ZT-150 Paired with 4-Port VNA

