

16-Way Active Splitter

ZT-161RS

50Ω 1200-1600 MHz



Product Overview

Mini-Circuits' ZT-161RS is a 16-way active power splitter covering 1200-1600 MHz, ideal for GNSS (GPS, GLONASS & Galileo) signal distribution applications. The splitter is powered from the AC mains input and provides more than 20 dB gain from the input to each output.

The system is housed in a compact 19-inch rack chassis, 2U height, with the RF input port on the rear and the 16 output ports on the front panel, all RF ports are SMA female.

Electrical Specifications at 25°C

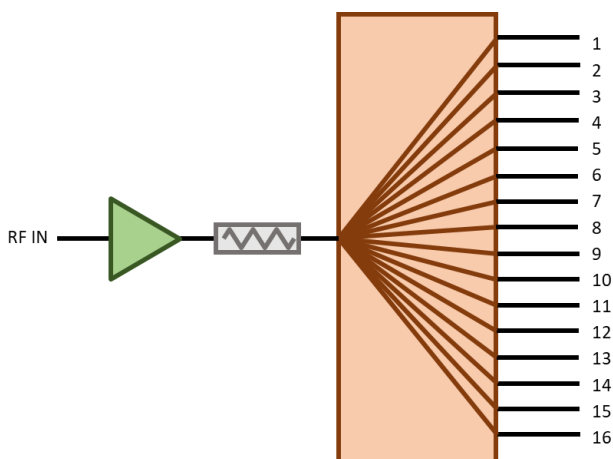
Parameter	Conditions	Min	Typ	Max	Units
Frequency		1200		1600	MHz
Path Gain	Per channel	20			dB
VSWR			1.4		:1
Isolation	Between outputs		25		dB
Input Power				-25	dBm

Please contact testsolutions@minicircuits.com for support

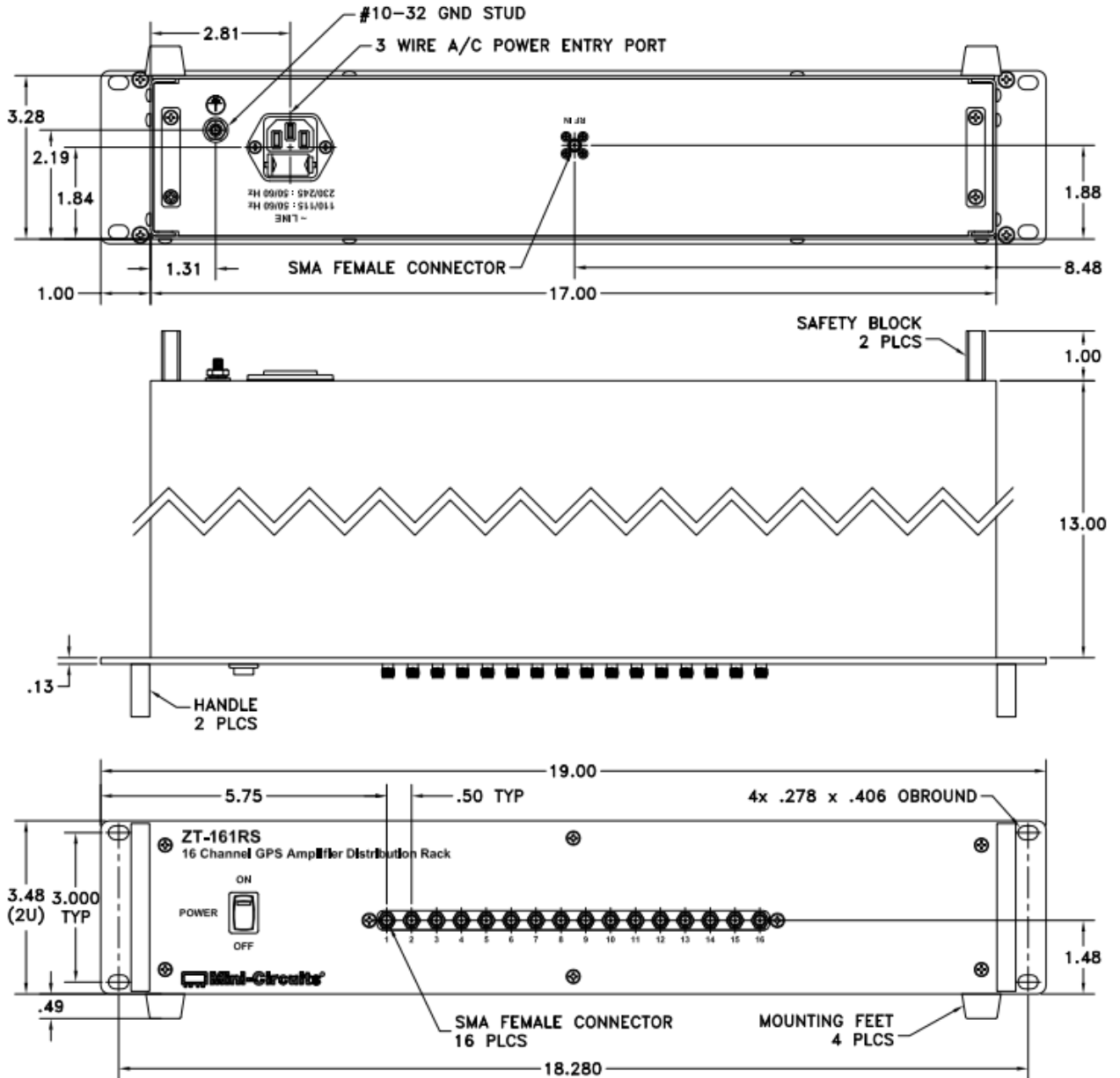
Mechanical Specifications

Dimensions	19" (W) x 2U (H) x 13" (D)			
Case Drawing	99-01-1980			
Case Material	• Aluminum (with protective coating to prevent corrosion)			
RF Connectors	Panel	Connector	Quantity	Port Labels
	Front	SMA female	16	1 - 16
	Rear	SMA female	1	RF IN
Panel Items	Front Panel		Rear Panel	
Panel Marking	<ul style="list-style-type: none"> • Model name • 16 Channel GPS Amplifier Distribution Rack 		<ul style="list-style-type: none"> • Serial number / date code / model name 	
Other Connectors			<ul style="list-style-type: none"> • AC mains power input (IEC C14 inlet) 	
Other	<ul style="list-style-type: none"> • Power on / off switch with LED • Carry handles 			
Power Supply	AC mains power input (90-260 V, 47-63 Hz)			
Fuse	2A, 250V rating			
Temperature	Operating: 0 to +50 °C			

Functional Block Diagram



Outline Drawing



Ordering Information

Please contact Mini-Circuits' Test Solutions department for price and availability:

testsolutions@minicircuits.com

Included Accessories

Model Name	Quantity	Description
CBL-3W-xx*	1	AC power cord (IEC C13 connector to local plug)
HT-4-SMA	1	SMA Cable Wrench (4 in)

Cable Model	Region
CBL-3W-US	USA
CBL-3W-EU	Europe
CBL-3W-IL	Israel
CBL-3W-UK	UK
CBL-3W-AU	Australia / China

*Please specify one option on the purchase order, at no charge

Additional Notes

- Performance and quality attributes and conditions not expressly stated in this specification document are intended to be excluded and do not form a part of this specification document.
- Electrical specifications and performance data contained in this specification document are based on Mini-Circuit's applicable established test performance criteria and measurement instructions.
- The parts covered by this specification document are subject to Mini-Circuits standard limited warranty and terms and conditions (collectively, "Standard Terms"); Purchasers of this part are entitled to the rights and benefits contained therein. For a full statement of the Standard Terms and the exclusive rights and remedies thereunder, please visit Mini-Circuits' website at www.minicircuits.com/MCLStore/terms.jsp