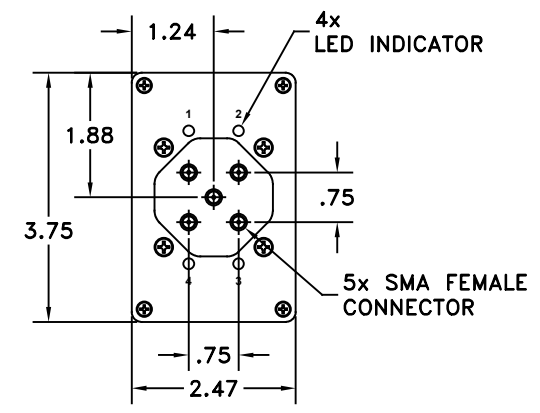
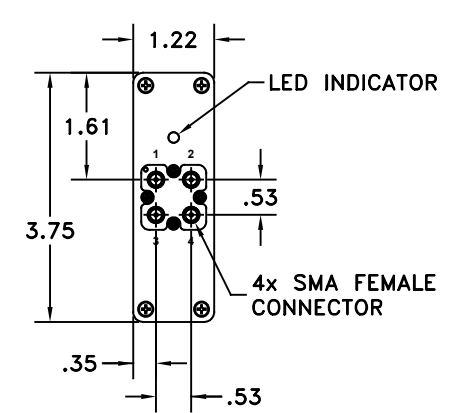


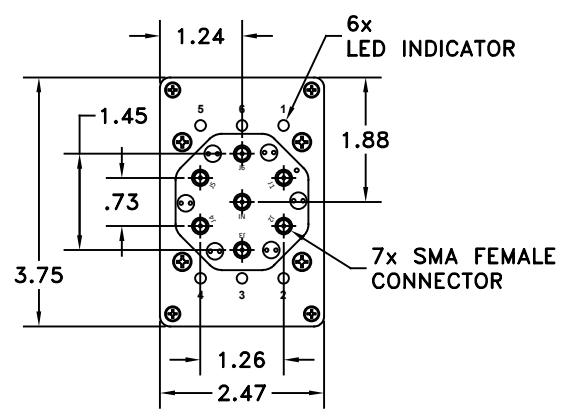
SPDT MODULE  
(USES 1/2 SPACE)



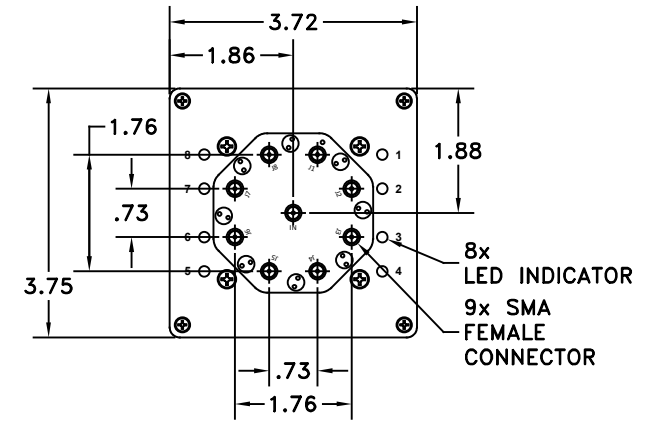
SP4T MODULE  
(USES FULL SPACE)



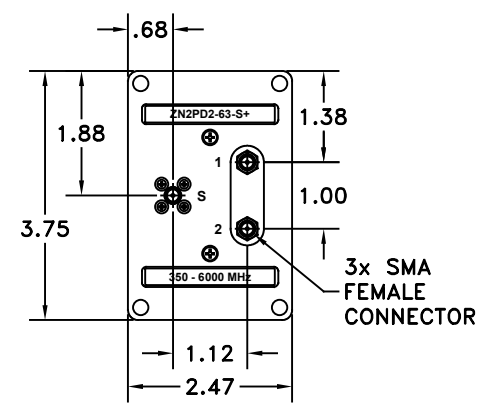
DPDT MODULE  
(USES 1/2 SPACE)



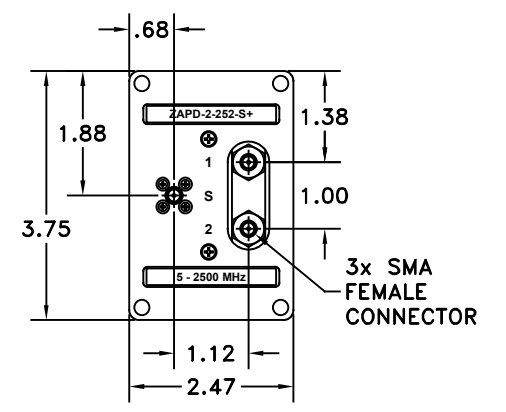
SP6T MODULE  
(USES FULL SPACE)



SP8T MODULE  
(USES 1-1/2 SPACE)



ZN2PD2-63-S+ SPLITTER MODULE  
(USES FULL SPACE)



ZAPD-2-252-S+ SPLITTER MODULE  
(USES FULL SPACE)

DRAFT

UNLESS OTHERWISE SPECIFIED	INITIALS	DATE
DIMENSIONS ARE IN INCHES TOLERANCES ON:	DRAWN	03.29.19
2 PL DECIMALS ± .03	CHECKED	03.29.19
3 PL DECIMALS ± .015	APPROVED	03.29.19
ANGLES ±		
FRACTIONS ±		

**Mini-Circuits**<sup>®</sup>  
13 Neptune Avenue  
Brooklyn NY 11235

OUTLINE DRAWING

SIZE B	CODE IDENT 15542	DRAWING NO: 99-01-2891	REV: 3
FILE: 99-01-2891_REV3		SCALE: 1:3	SHEET: 1 OF 1

3	PRELIMINARY	06/19	IK	JD
REV	ECN No.	DATE	DR	AUTH
REVISIONS				

THIS DOCUMENT AND ITS CONTENTS ARE THE PROPERTY OF MINI-CIRCUITS. EXCEPT FOR USE EXPRESSLY GRANTED, IN WRITING, TO ITS VENDORS, VENDEE AND THE UNITED STATES GOVERNMENT, MINI-CIRCUITS RESERVES ALL PROPRIETARY DESIGN, USE, MANUFACTURING AND REPRODUCTION RIGHTS THERETO. THESE CONTENTS SHALL NOT BE USED, DUPLICATED OR DISCLOSED TO ANY OUTSIDE PARTY, IN WHOLE OR IN PART, WITHOUT WRITTEN PERMISSION OF MINI-CIRCUITS.

BSHEETA1.DWG REV:A DATE:01/12/94

THIRD ANGLE PROJECTION

