



## ZT-101 0.7-18 GHz

### Amplifier with Switchable Outputs

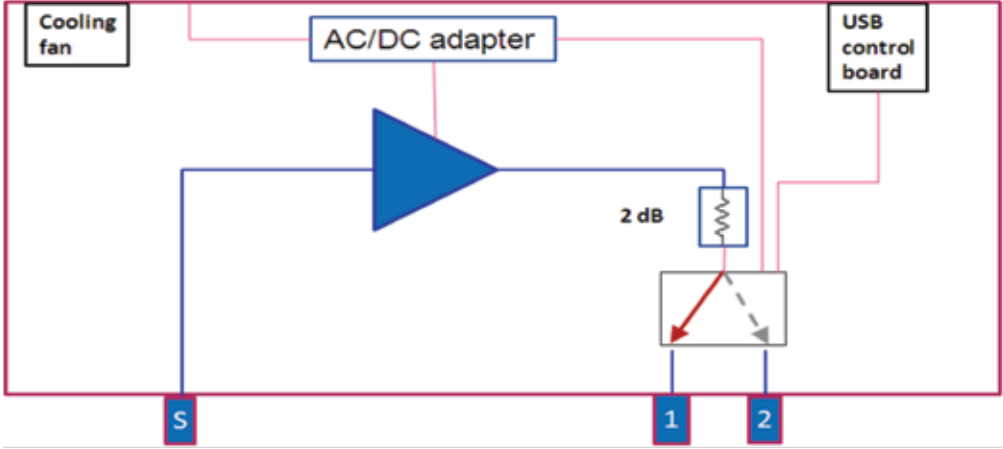
#### Functional Description

Housed in a space-efficient 1U rack, this design integrates a high performance amplifier operating over 0.7 – 18 GHz and a high-isolation absorptive SPDT switch. The ZT-101 offers a convenient solution to general test lab applications with dual switched outputs controlled via USB connection and user-friendly GUI software.

#### Electrical Performance

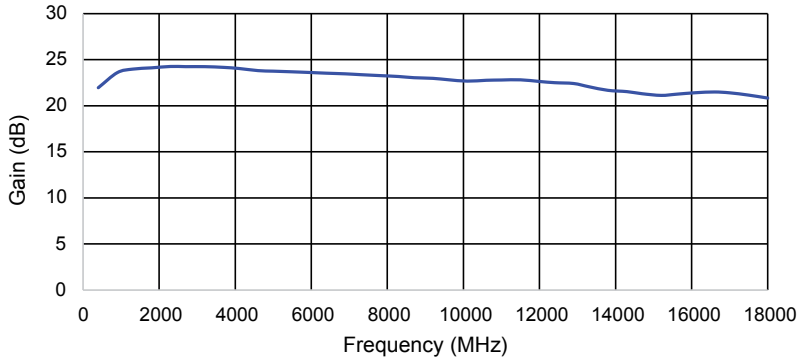
PARAMETER	SPECIFICATIONS			
	Unit	Min.	Typ.	Max.
Operating Frequency	GHz	0.7	-	18
Gain	dB	20	23	-
RF Input Power	dBm	-	-	-5
Output Flatness	dB	-	±2	-
Output P1dB	dBm	+18	+22	-
VSWR	:1	-	1.5	-
Switching Time, Out1 – Out2	ms	-	30	-
RF Isolation, Out1 – Out2	dB	-	65	-
RF Isolation, In – Inactive Output	dB	-	60	-
Supply Voltage	V	-	110/230	-

Functional Schematic



ZT-101 Curves

Gain vs. Frequency



P1dB vs. Frequency

