



## ZT-106 DC-18 GHz Dual SPDT Switch Matrix with $\pm 48V_{DC}$ Input

### Functional Description

This dual SPDT switch matrix is specially designed for environments where only  $\pm 48V$  supply is available. Mini-Circuits can provide multiple switch configurations in a single 19" test rack to support testing multiple DUTs or multiple input and output structures.

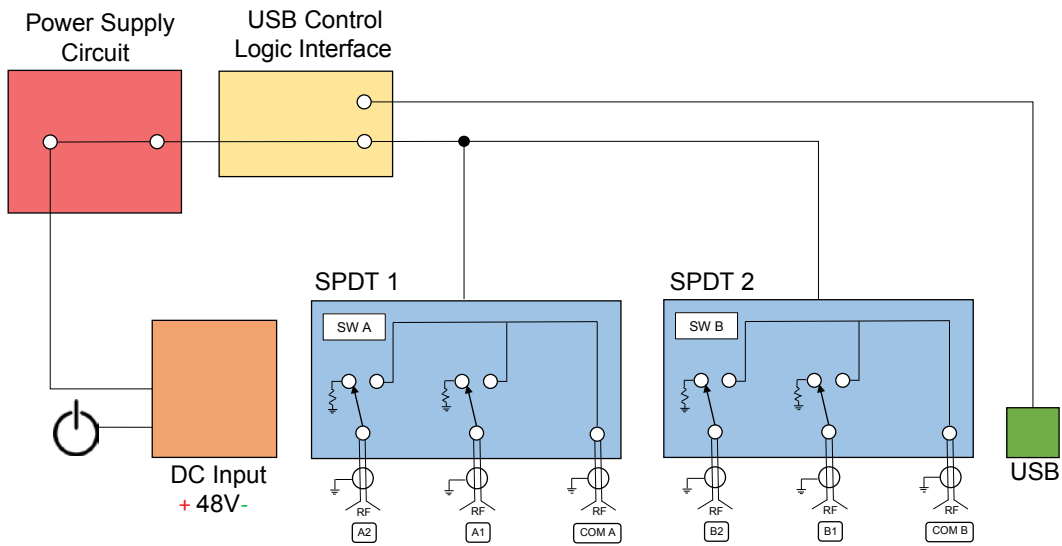
### Electrical Performance

PARAMETER	Unit	SPECIFICATIONS		
		Min.	Typ.	Max.
Operating Frequency	GHz	DC	-	18
Insertion Loss	dB	-	0.2	0.3
Isolation	dB	72	89	-
VSWR	:1	-	1.15	1.3
DC Supply	V	-	$\pm 48$	-
Supply Current	A	-	0.4	-

### CONNECTION TYPE

Control Interface      USB Standard. Available with Ethernet-TCP/IP supporting HTTP and Telnet network protocols.

## Functional Schematic



## ZT-106 GUI Main Screen

