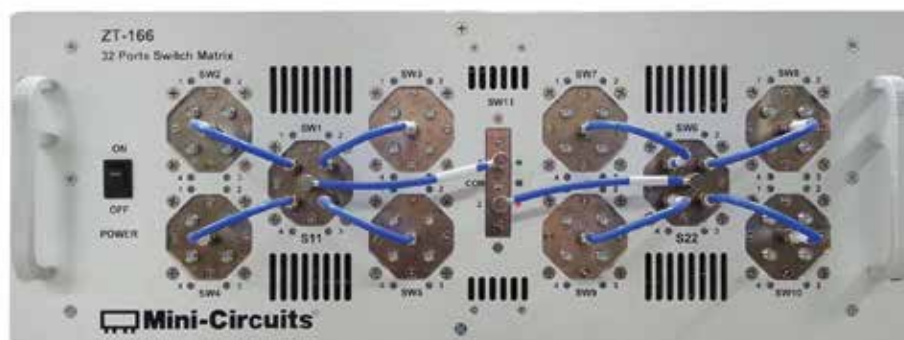




ZT-166 DC-18 GHz Re-Configurable 1x32 Switch Matrix

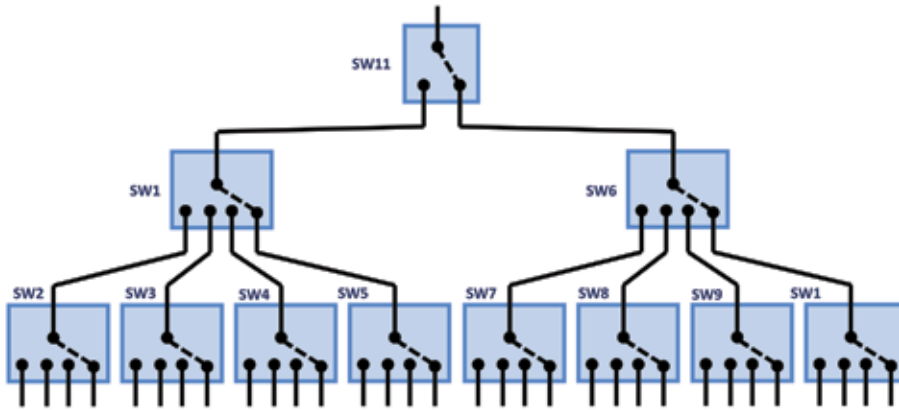
Functional Description

ZT-166 houses 10 independently controlled SP4T switches and a single SPDT switch on the front panel. Using the included software and with external connections made through Mini-Circuits' **141 Series** hand-flex cables as shown below, ZT-166 becomes an ultra wideband, 1 by 32 switch matrix. Alternatively, any switch can be controlled independently to accommodate a diverse range of test applications.

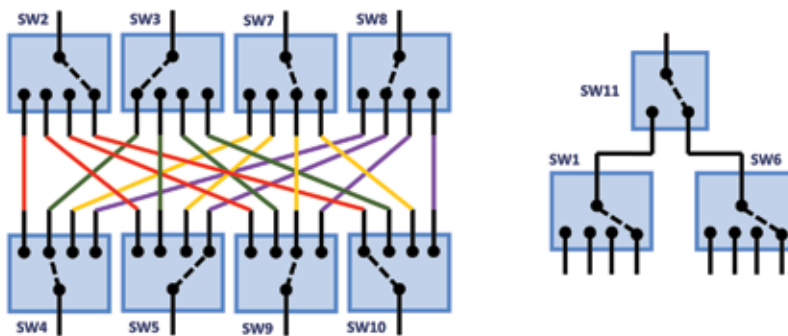


ZT-166 Cable Configuration

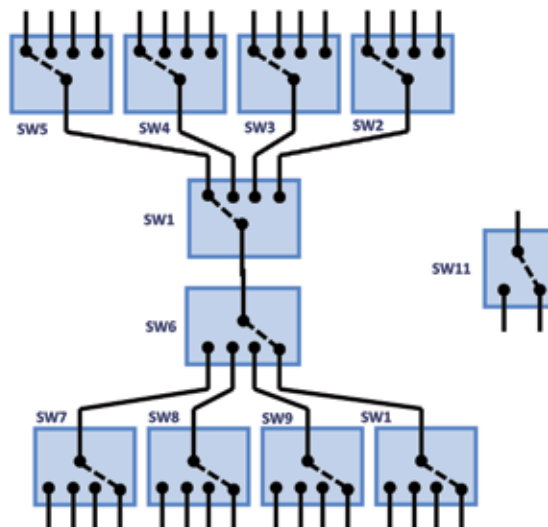
Configuration Options



Single Pole 32 Throw (SP32T) Switch



4 by 4, Non-Blocking Switch Matrix with a Spare SP8T



16 by 16, Blocking Switch Matrix with a Spare SPDT