

Reflective

SPDT RF Switch

ZYSW-2-50DR+

50Ω DC² - 5000 MHz

The Big Deal

- Wide bandwidth DC² to 5000 MHz
- Very fast switching, 20ns typ.
- Low video break thru 30 mVp-p typ.



CASE STYLE: ZZ121

Product Overview

The ZYSW-2-50DR+ is an excellent general purpose SPDT solid state reflective RF switch. With its broad frequency range, fast switching time and excellent RF performance, the ZYSW-2-50DR+ is an excellent replacement for the Mini-Circuits' legacy switch model ZYSW-2-50DR+. Refer app note [AN-80-018](#) for more details. The smaller size and wider bandwidth makes this switch a versatile choice for several RF applications & systems.

Key Features

Feature	Advantages
Integrated CMOS Driver	-Operates at +5V to -5V -Low control current allows compatibility with a variety of driver circuits -Fast 20 ns typ. Switching time
Excellent for a Variety of Applications From Bench to Integrated Systems	-High speed testers -Automated switching networks -Wireless Infrastructure -Military
Excellent RF Performance	-Wide bandwidth: DC ² to 5000 MHz -Low Insertion Loss: 1.4 dB Typ -Low video leakage, 30 mVp-p typ.

2. All RF connections must be blocked or held at 0V DC. Low frequency is determined by value of Coupling capacitors at RF ports.

Notes

- A. Performance and quality attributes and conditions not expressly stated in this specification document are intended to be excluded and do not form a part of this specification document.
B. Electrical specifications and performance data contained in this specification document are based on Mini-Circuit's applicable established test performance criteria and measurement instructions.
C. The parts covered by this specification document are subject to Mini-Circuits standard limited warranty and terms and conditions (collectively, "Standard Terms"); Purchasers of this part are entitled to the rights and benefits contained therein. For a full statement of the Standard Terms and the exclusive rights and remedies thereunder, please visit Mini-Circuits' website at www.minicircuits.com/MCLStore/terms.jsp



Coaxial

SPDT RF Switch

50Ω DC²-5000 MHz

Reflective RF Switch with Internal Driver
Dual Supply Voltage, +5V to -5V

Product Features

- Wide bandwidth, DC² to 5000 MHz
- Low Insertion loss, 1.4 dB typ.
- Internal driver circuitry
- Fast switching, Rise/fall time, 5 ns typ.
- Wide operating temperature, -20°C to +85°C



ZYSW-2-50DR+

CASE STYLE: ZZ121

Connectors	Model
SMA	ZYSW-2-50DR+
BRACKET (OPTION "B")	

+RoHS Compliant

The +Suffix identifies RoHS Compliance. See our web site for RoHS Compliance methodologies and qualifications

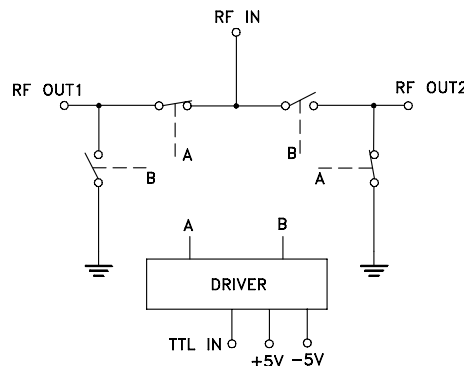
Typical Applications

- Cellular
- ISM, WCDMA, WIMAX
- PCN
- Automated switching networks
- Military

General Description

The ZYSW-2-50DR+ is a 50Ω reflective, SPDT RF switch designed for wireless applications, covering a broad frequency range from DC² to 5000 MHz with low insertion loss. The ZYSW-2-50DR+ operates with a dual supply voltage ±5V. This unit includes an internal CMOS driver which makes it easier to control switching with standard TTL voltage levels.

Schematic and Application Circuit



2. All RF connections must be blocked or held at 0V DC. Low frequency is determined by value of Coupling capacitors at RF ports.

Notes

- A. Performance and quality attributes and conditions not expressly stated in this specification document are intended to be excluded and do not form a part of this specification document.
B. Electrical specifications and performance data contained in this specification document are based on Mini-Circuit's applicable established test performance criteria and measurement instructions.
C. The parts covered by this specification document are subject to Mini-Circuits standard limited warranty and terms and conditions (collectively, "Standard Terms"); Purchasers of this part are entitled to the rights and benefits contained therein. For a full statement of the Standard Terms and the exclusive rights and remedies thereunder, please visit Mini-Circuits' website at www.minicircuits.com/MCLStore/terms.jsp



RF Electrical Specifications, DC² - 5000 MHz, T_{AMB}=25°C, Supply Voltage (+V, -V) =+5V, -5V

Parameter	Condition (MHz)	Min.	Typ.	Max.	Units
Frequency Range		DC ²		5000	MHz
Insertion Loss	DC ² -500	—	0.8	1.5	dB
	500-2000	—	1.2	1.7	
	2000-5000	—	2.1	—	
Isolation between Common port and RF1/RF2 Ports	DC ² -500	38	50	—	dB
	500-2000	28	40	—	
	2000-5000	—	18	—	
Return Loss (IN PORT)	DC ² -3000	—	15	—	dB
	3000-5000	—	13	—	
Return Loss @ RF1/RF2 ports (ON STATE)	DC ² -3000	—	18	—	dB
	3000-5000	—	15	—	
Input 1dB Compression ⁽¹⁾	10-500	—	>20	—	dBm
	500-2000	—	>24	—	
	2000-5000	—	>23	—	
DC Electrical Specifications					
Supply Voltage (+V)		—	5	—	V
Supply Voltage (-V)			-5		V
Positive Supply Current	+V=5V		4.5		mA
Negative Supply Current	-V=-5V		3.3		mA
Control Voltage Low		0		0.7	V
Control Voltage High		2.1		5	V
Control Current		—	—	2	mA
Switching Specifications					
Rise/Fall Time (10 to 90% or 90 to 10% RF)	+V=5V, -V=-5V	—	6	—	nSec
Switching Time (50% CTRL to 90/10% RF)	+V=5V, -V=-5V	—	20	—	nSec
Video Feed through (Control 0-5V, Frequency 1 MHz)	+V=5V, -V=-5V	—	30	—	mV _{p-p}

1. At low frequency(<100 MHz), the dynamic range of switch decreases.

Absolute Maximum Ratings

Parameter	Ratings
Operating Temperature	-20°C to 85°C
Storage Temperature	-55°C to 100°C
Supply Voltage (+V & -V)	+5.5V, -5.5V
Voltage Control	-0.2V min, +5.5V max
RF input power ³	31 dBm
ESD, HBM	Class 1A (250 to <500V) per JESD22-A114

2. All RF connections must be blocked or held at 0V DC. Low frequency is determined by value of Coupling capacitors at RF ports.

3. Frequency range of 500-5000 MHz.

Notes

A. Performance and quality attributes and conditions not expressly stated in this specification document are intended to be excluded and do not form a part of this specification document.

B. Electrical specifications and performance data contained in this specification document are based on Mini-Circuit's applicable established test performance criteria and measurement instructions.

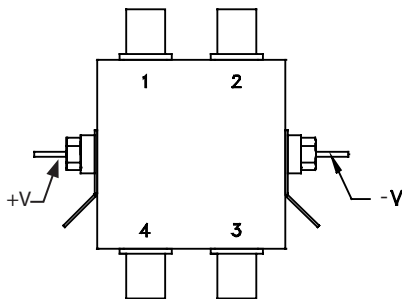
C. The parts covered by this specification document are subject to Mini-Circuits standard limited warranty and terms and conditions (collectively, "Standard Terms"); Purchasers of this part are entitled to the rights and benefits contained therein. For a full statement of the Standard Terms and the exclusive rights and remedies thereunder, please visit Mini-Circuits' website at www.minicircuits.com/MCLStore/terms.jsp



Truth Table (State of control voltage selects the desired switch state)

State of Control Voltage	Switch State - RF IN to	
	RF1	RF2
Low	ON	OFF
High	OFF	ON
ON- low insertion loss state OFF- Isolation State		

Coaxial Configuration



Coaxial Connections

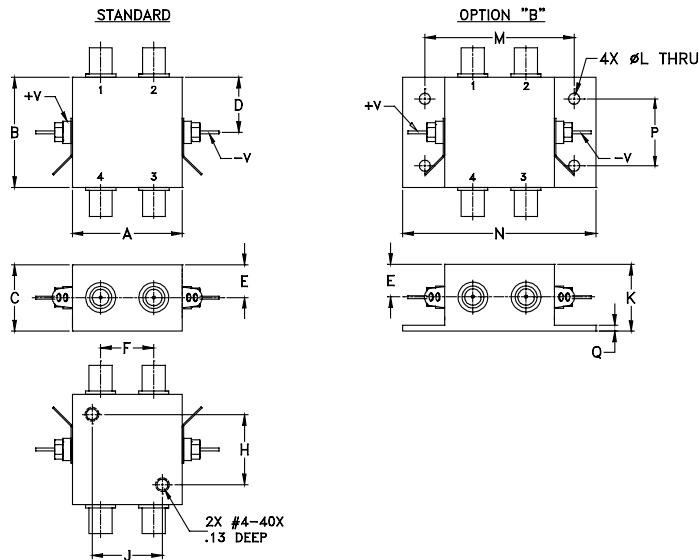
Function	Port Number	Description
RF IN	3	RF Common/ SUM Port
RF1	2	RF Out #1/In Port #1
RF2	1	RF Out #2/In Port #2
Control	4	TTL Control IN
+5	+V	Positive Supply Voltage
-5	-V	Negative Supply Voltage

Notes

- A. Performance and quality attributes and conditions not expressly stated in this specification document are intended to be excluded and do not form a part of this specification document.
- B. Electrical specifications and performance data contained in this specification document are based on Mini-Circuit's applicable established test performance criteria and measurement instructions.
- C. The parts covered by this specification document are subject to Mini-Circuits standard limited warranty and terms and conditions (collectively, "Standard Terms"); Purchasers of this part are entitled to the rights and benefits contained therein. For a full statement of the Standard Terms and the exclusive rights and remedies thereunder, please visit Mini-Circuits' website at www.minicircuits.com/MCLStore/terms.jsp



Outline Drawing (ZZ121)



Outline Dimensions (inch / mm)

A	B	C	D	E	F	G	H
1.25	1.25	0.75	0.63	0.38	0.61	--	0.800
31.75	31.75	19.05	16.00	9.65	15.49	--	20.32
J	K	L	M	N	P	Q	wt
0.800	0.76	0.125	1.688	2.18	0.75	0.07	grams
20.32	19.30	3.18	42.88	55.37	19.05	1.78	85

Additional Detailed Technical Information

Additional information is available on our web site. To access this information enter the model number on our web site home page.

Performance data, graphs

Case Style: ZZ121

Environmental Ratings: ENV28T16

Pricing & Availability Information

Notes

- A. Performance and quality attributes and conditions not expressly stated in this specification document are intended to be excluded and do not form a part of this specification document.
- B. Electrical specifications and performance data contained in this specification document are based on Mini-Circuit's applicable established test performance criteria and measurement instructions.
- C. The parts covered by this specification document are subject to Mini-Circuits standard limited warranty and terms and conditions (collectively, "Standard Terms"); Purchasers of this part are entitled to the rights and benefits contained therein. For a full statement of the Standard Terms and the exclusive rights and remedies thereunder, please visit Mini-Circuits' website at www.minicircuits.com/MCLStore/terms.jsp

