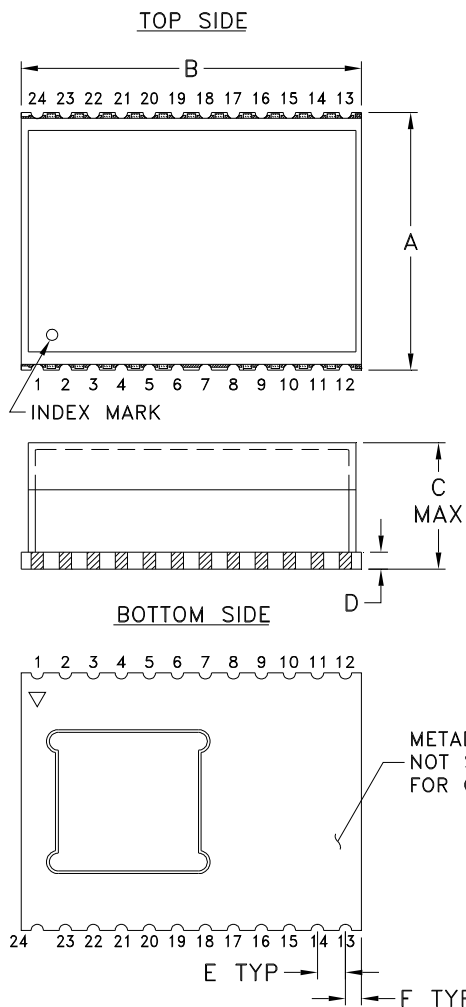
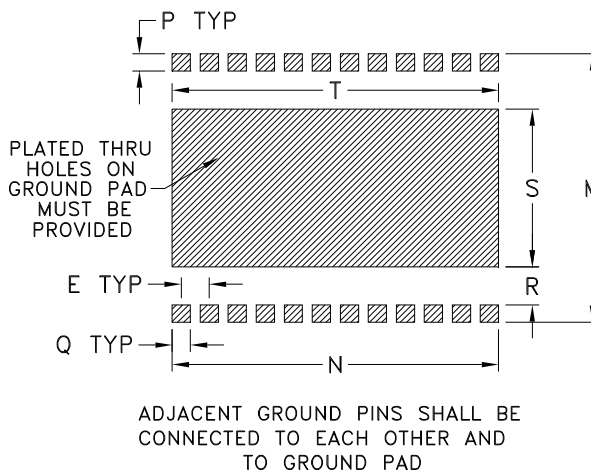


Outline Dimensions

BL301-7



PCB Land Pattern



Suggested Layout,
Tolerance to be within ± 0.002

METALLIZATION

CASE #	A	B	C	D	E	F	G	H	J	K	L
BL301-7	.93 (23.62)	1.22 (30.99)	.47 (11.94)	.062 (1.57)	.100 (2.54)	.058 (1.46)	--	--	--	--	--
CASE#	M	N	P	Q	R	S	T	U	WT. GRAM		
BL301-7	.970 (24.64)	1.165 (29.59)	.063 (1.60)	.065 (1.65)	.138 (3.51)	.570 (14.48)	1.165 (29.59)	--	6.5		

Dimensions are in inches (mm). Tolerances: 2Pl. $\pm .01$; 3Pl. $\pm .005$

Notes:

- Case material: Copper-Nickel alloy.
- Base material: Printed wiring laminate.
- Termination finish:
 - For RoHS Case Styles: 3-5 μ inch Gold over 120-240 μ inch Nickel plate. All models, (+) suffix.
 - For RoHS-5 Case Styles: Tin-Lead plate. All models, no (+) suffix.



P.O. Box 350166, Brooklyn, New York 11235-0003 (718) 934-4500 Fax (718) 332-4661 For detailed performance specs & shopping online see Mini-Circuits web site



The Design Engineers Search Engine Provides ACTUAL Data Instantly From MINI-CIRCUITS At: www.minicircuits.com

RF/IF MICROWAVE COMPONENTS