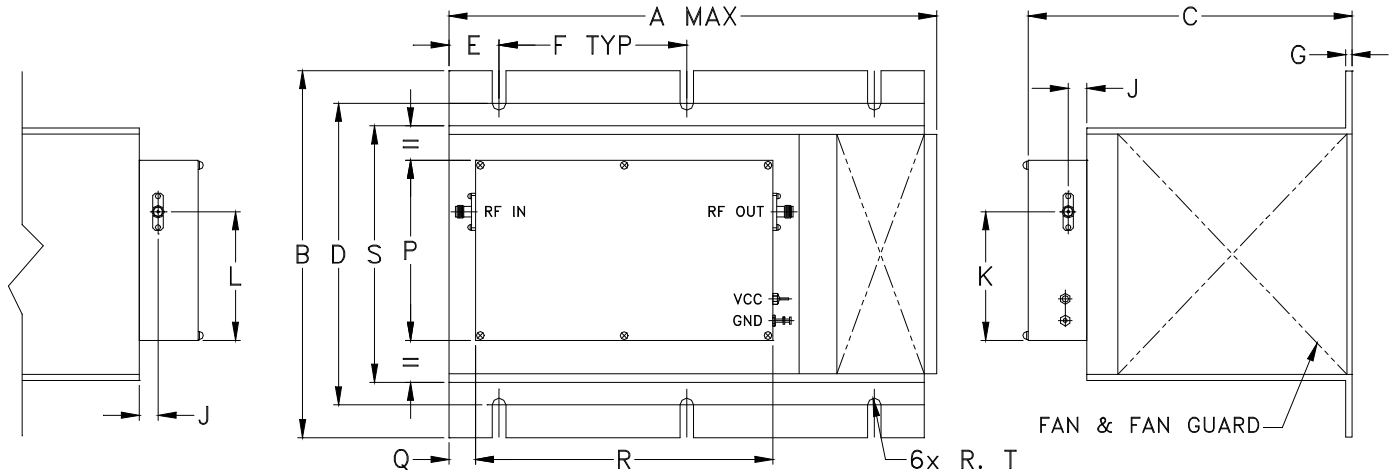
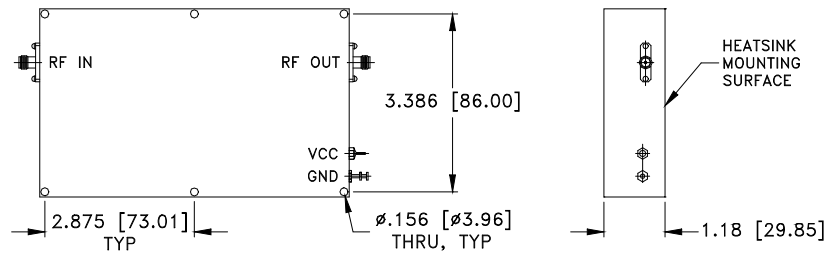


Outline Dimensions



MOUNTING INFORMATION FOR MODELS WITHOUT HEATSINK.



CASE#	A	B	C	D	E	F	G	H	J	K	L	M	N
BT1204	9.85 (250.19)	7.3 (185.42)	6.5 (165.10)	6.00 (152.40)	1.00 (25.40)	3.75 (95.25)	.13 (3.30)	- -	.37 (9.40)	2.56 (65.02)	2.56 (65.02)	- -	- -

CASE#	P	Q	R	S	T	WT, GRAM	WT WITHOUT HEATSINK, GRAM
BT1204	3.58 (90.93)	.5 (12.70)	5.95 (151.13)	5.1 (129.54)	.135 (3.43)	4265	580

Dimensions are in inches (mm). Tolerances: 1 Pl. $\pm .1$; 2 Pl. $\pm .03$; 3 Pl. $\pm .015$

Notes:

- Case material: Aluminum alloy.
- Finish:
For RoHS Case Styles: Clear Chemical conversion coating, non-chrome or trivalent chrome based.
- Heatsink finish: Black anodize.
- Refer to the individual model data sheet for the type of connectors available.
- Recommended screws for mounting model without heat sink on 3/32" thick sheet: #6-32, 1.50" Length.



P.O. Box 350166, Brooklyn, New York 11235-0003 (718) 934-4500 Fax (718) 332-4661 For detailed performance specs & shopping online see Mini-Circuits web site



The Design Engineers Search Engine Provides ACTUAL Data Instantly From MINI-CIRCUITS At: www.minicircuits.com

RF/IF MICROWAVE COMPONENTS