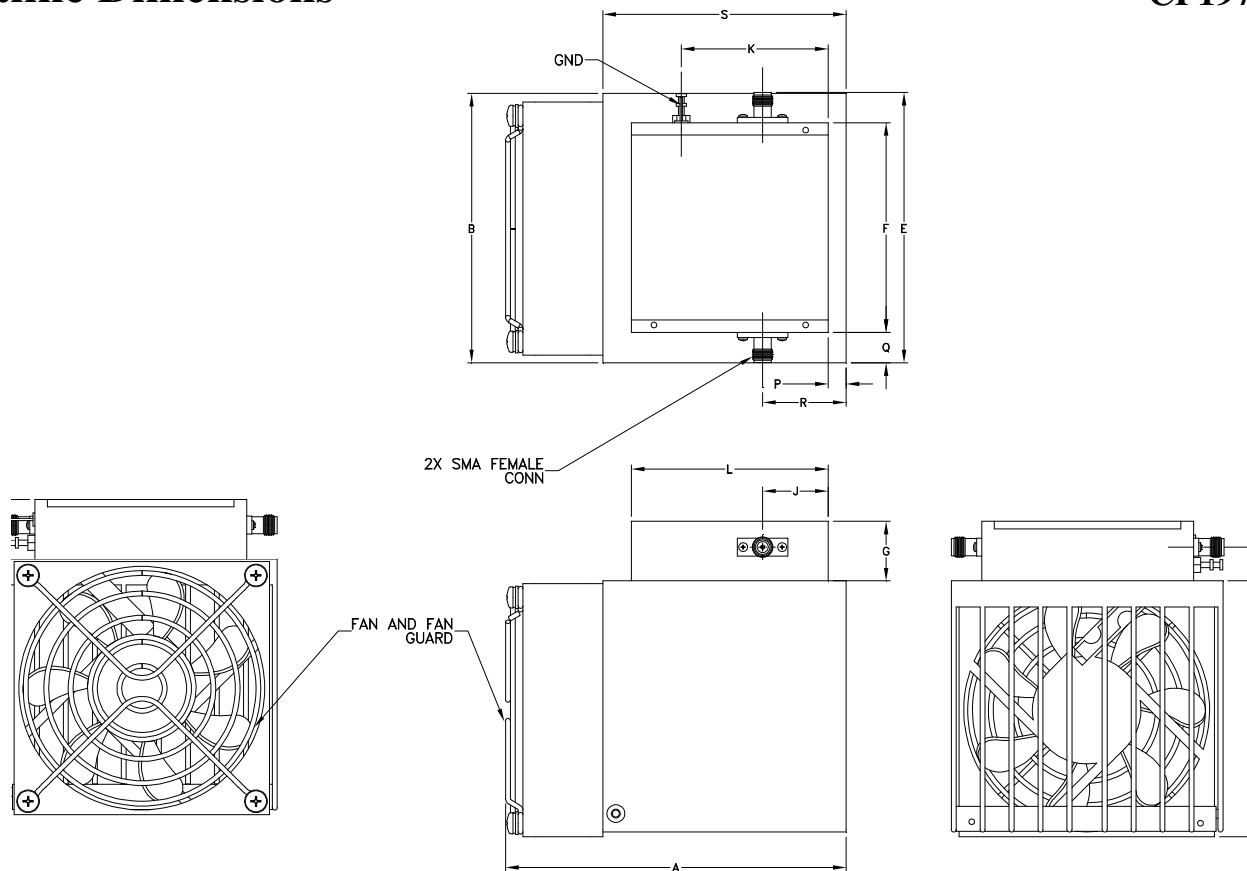
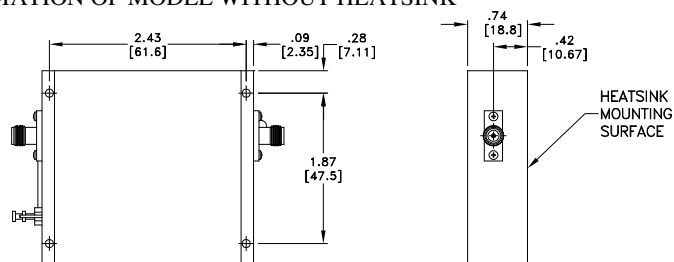


Outline Dimensions

CP1978-1



MOUNTING INFORMATION OF MODEL WITHOUT HEATSINK



CASE#	A	B	C	D	E	F	G	H	J	K	L	M	N
CP1978-1	4.20 (106.7)	3.35 (85.09)	3.92 (99.63)	3.60 (91.5)	3.36 (85.41)	2.61 (66.29)	.74 (18.8)	--	.81 (20.57)	1.81 (46.05)	2.43 (61.72)	--	.42 (10.67)
CASE#	P	Q	R	S	T	WT. GRAMS	WT. WITHOUT HEATSINK GRAMS						
CP1978-1	.22 (5.59)	.38 (9.59)	1.03 (26.16)	3.00 (76.2)	--	750	290						

Notes:

1. Case material: Aluminum alloy.
2. Case finish: Electroless Nickel.
3. Heat sink finish: Black anodize if supplied with heat sink



P.O. Box 350166, Brooklyn, New York 11235-0003 (718) 934-4500 Fax (718) 332-4661 For detailed performance specs & shopping online see Mini-Circuits web site



The Design Engineers Search Engine Provides ACTUAL Data Instantly From MINI-CIRCUITS At: www.minicircuits.com

RF/IF MICROWAVE COMPONENTS