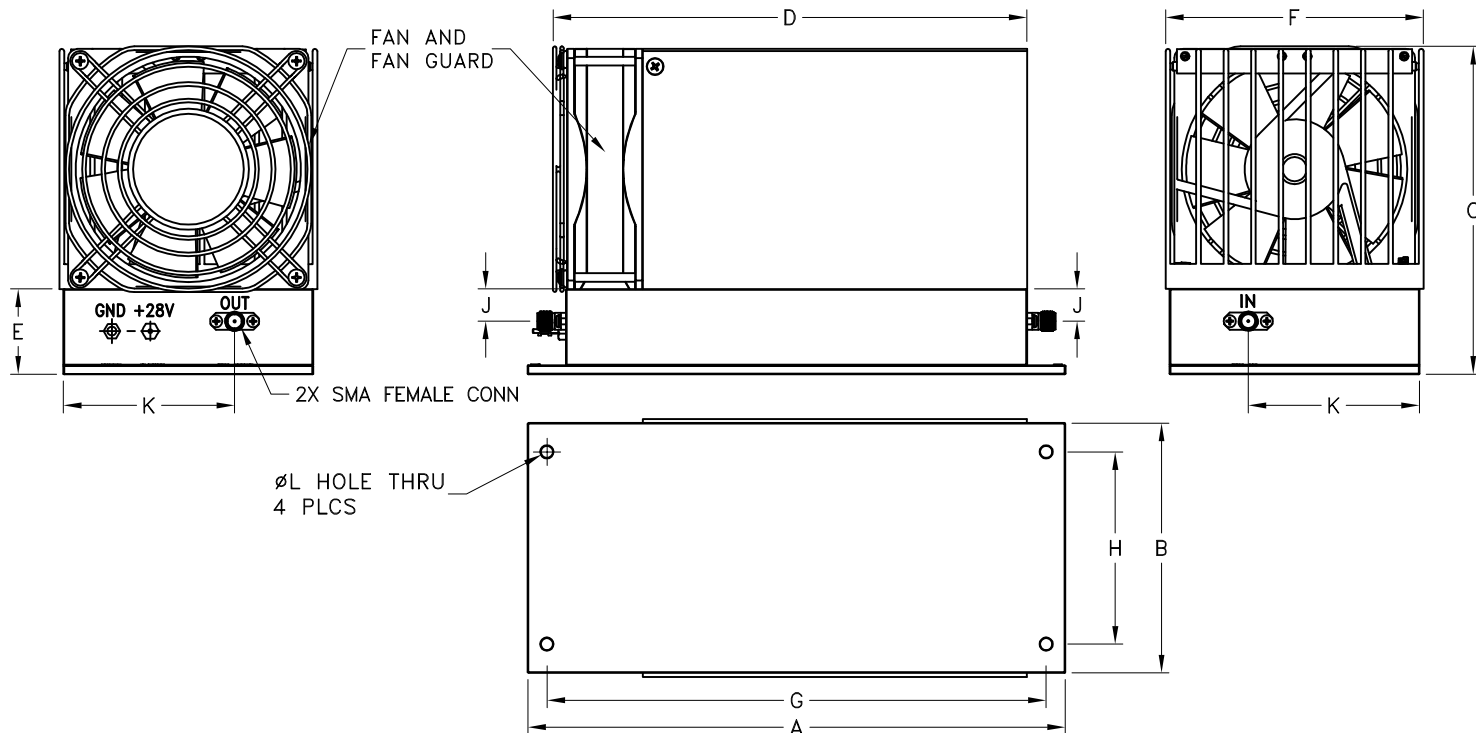
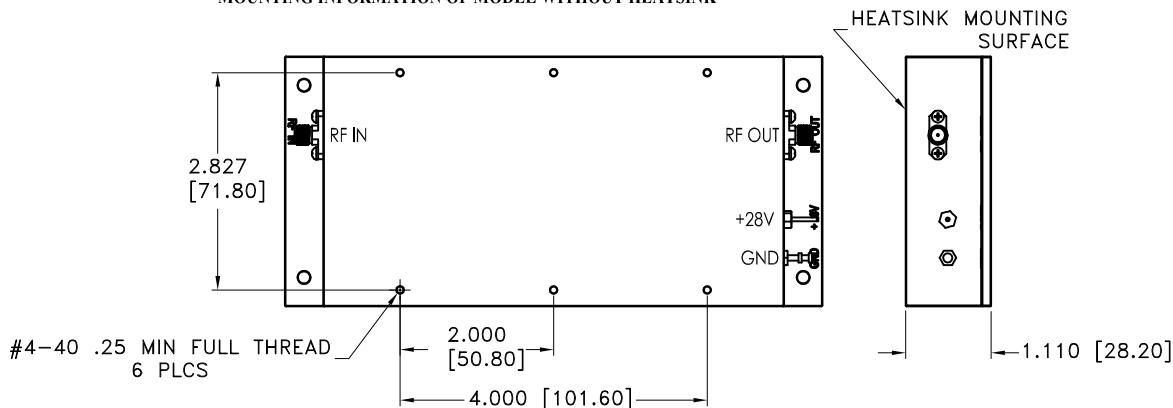


Outline Dimensions

CP2548-1



MOUNTING INFORMATION OF MODEL WITHOUT HEATSINK



CASE#	A	B	C	D	E	F	G	H	J	K	L	WT.GRAMS	WT.WITHOUT HEATSINK GRAMS
CP2548-1	7.00 (177.8)	3.25 (82.6)	4.27 (108.4)	6.17 (156.7)	1.12 (28.4)	3.36 (85.2)	6.500 (165.10)	2.500 (63.50)	0.42 (10.65)	2.23 (56.6)	0.157 (4.00)	1761	600

Dimensions are in inches (mm). Tolerances: 2 Pl. ± 0.03 ; 3 Pl. ± 0.015

Notes:

- Case material: Aluminum alloy
- Finish:
For RoHS Case Styles: Clear Chemical conversion coating, non-chrome or trivalent chrome based.
- Heat sink finish: Black anodize.
- Refer to the individual model data sheet for the type of connectors available.
- Recommended screws for mounting model without heat sink on 3/32" thick sheet: #6-32, 1.50" Length.
- Shape of connector flange may vary.

Mini-Circuits
ISO 9001 ISO 14001 CERTIFIED

ALL NEW
minicircuits.com

P.O. Box 350166, Brooklyn, New York 11235-0003 (718) 934-4500 Fax (718) 332-4661 For detailed performance specs & shopping online see Mini-Circuits web site



The Design Engineers Search Engine Provides ACTUAL Data Instantly From MINI-CIRCUITS At: www.minicircuits.com

RF/IF MICROWAVE COMPONENTS