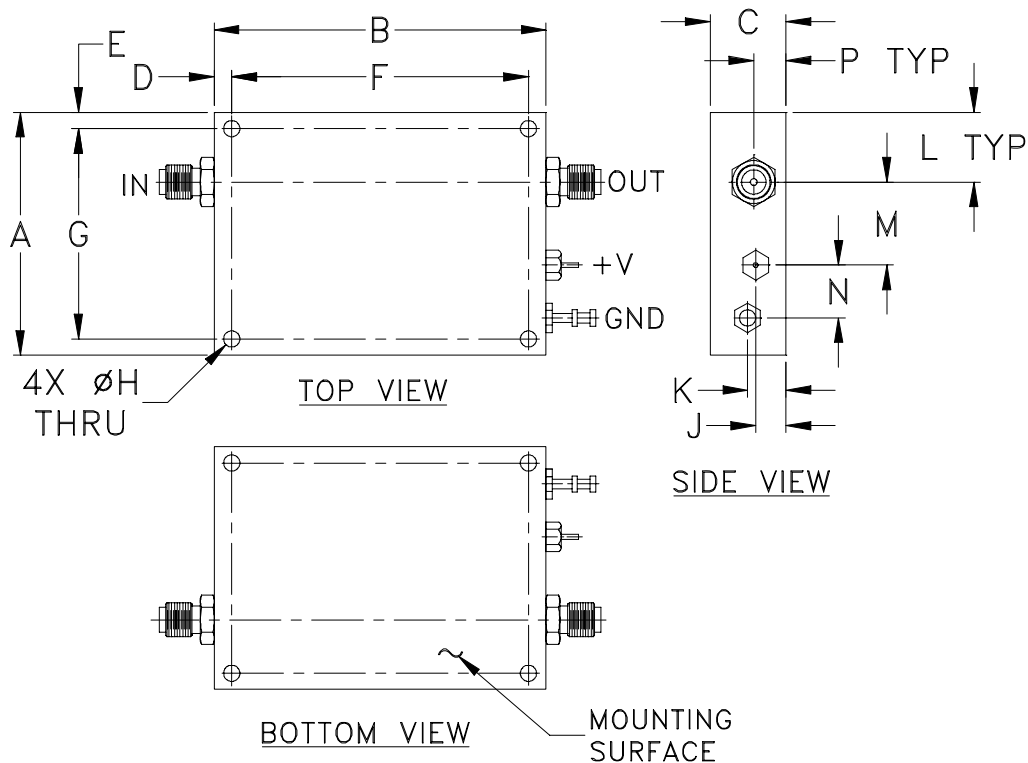


### Outline Dimensions



CASE#	A	B	C	D	E	F	G	H	J	K	L	M	N
CW686	1.77 (44.96)	2.42 (61.47)	.55 (13.97)	.13 (3.30)	.12 (3.05)	2.165 (54.99)	1.535 (38.99)	.126 (3.20)	.22 (5.59)	.28 (7.11)	.51 (12.95)	.61 (15.49)	.39 (9.91)

CASE#	P	Q	WT. GRAMS
CW686	.22 (5.59)	-- --	71

Dimensions are in inches (mm). Tolerances: 2 Pl.  $\pm .03$ ; 3 Pl.  $\pm .015$

#### Notes:

- Case material: Aluminum alloy.
- Case finish:  
For RoHS Case Styles: Clear chemical conversion coating, non-chrome or trivalent chrome based.