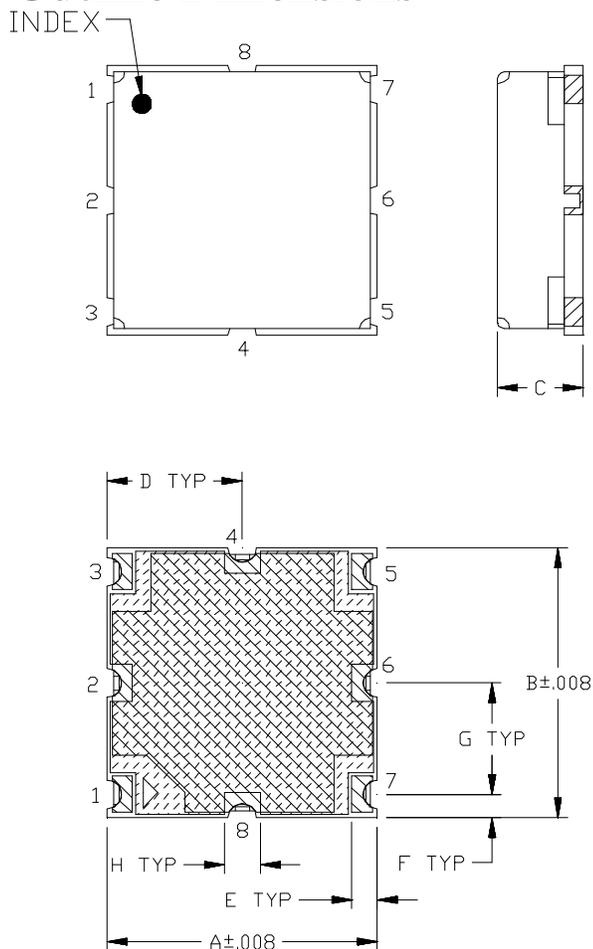
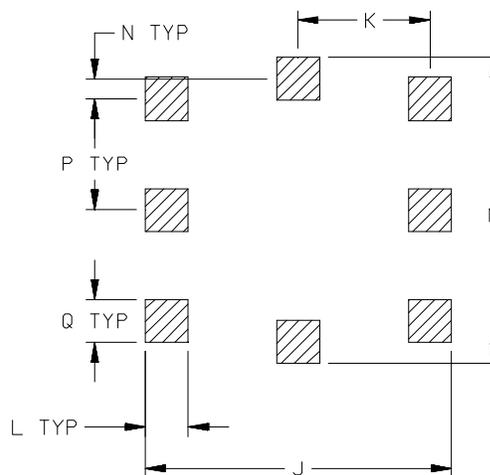


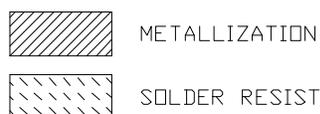
Outline Dimensions



PCB Land Pattern



Suggested Layout,
Tolerance to be within $\pm .002$



CASE #	A	B	C	D	E	F	G	H	J	K
CZ682	.375 (9.52)	.375 (9.52)	.131 (3.33)	.188 (4.77)	.035 (0.89)	.033 (0.84)	.154 (3.91)	.050 (1.27)	.425 (10.80)	.183 (4.65)

CASE #	L	M	N	P	Q	WT. GRAM
CZ682	.060 (1.52)	.425 (10.80)	.028 (0.71)	.154 (3.91)	.060 (1.52)	.60

Dimensions are in inches (mm). Tolerances: 2Pl. $\pm .03$; 3Pl. $\pm .010$

Notes:

1. Case material: Nickel-Silver alloy.
2. Base: Printed wiring laminate.
3. Termination finish:

For RoHS Case Styles: 3-5 μ inch (.08-.13 microns) Gold over 120-240 μ inch (3.05-6.10 microns) Nickel plate
For RoHS-5 Case Styles: Tin-Lead plate.



INTERNET <http://www.minicircuits.com>

P.O. Box 350166, Brooklyn, New York 11235-0003 (718) 934-4500 Fax (718) 332-4661

Distribution Centers NORTH AMERICA 800-654-7949 • 417-335-5935 • Fax 417-335-5945 • EUROPE 44-1252-832600 • Fax 44-1252-837010

Mini-Circuits ISO 9001 & ISO 14001 Certified