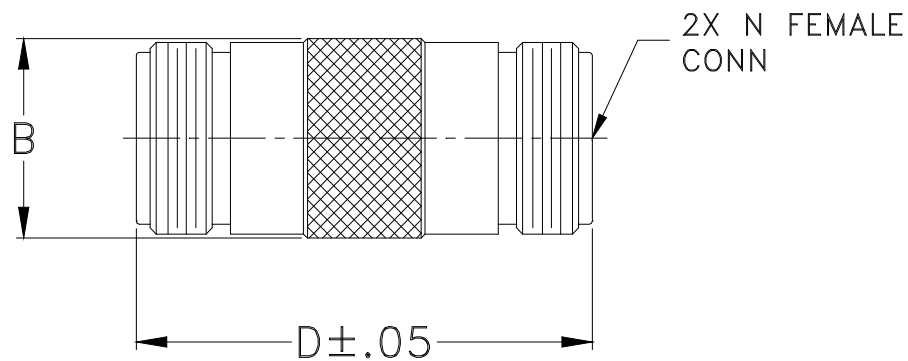


### Outline Dimensions



CASE#	A	B	C	D	E	WT. GRAM
DJ1092	--	.65 (16.5)	--	1.50 (38.10)	--	37.2

Dimensions are in inches (mm). Tolerances: 2 Pl.  $\pm .03$ ; 3 Pl.  $\pm .015$

#### Notes:

1. Case material: Brass
2. Finish: Tri-metal (Cu-Sn-Zn) plate.