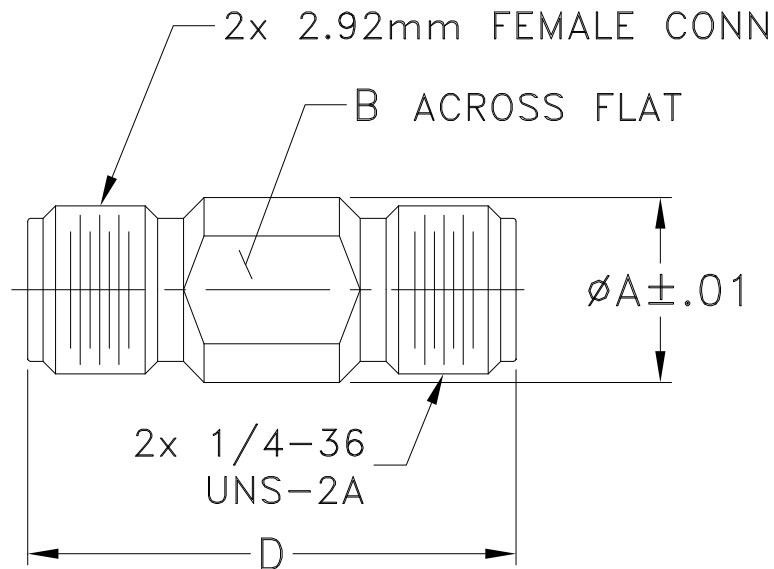


Outline Dimensions



CASE #	A	B	C	D	E	WT. GRAM
DJ1860	.28 (7.00)	.234 (5.95)	-- --	.74 (18.80)	-- --	3.0

Dimensions are in inches (mm). Tolerances: 2 Pl. $\pm .03$; 3Pl. + .015

Notes:

1. Case material:Stainless Steel.
2. Finish: Passivation.