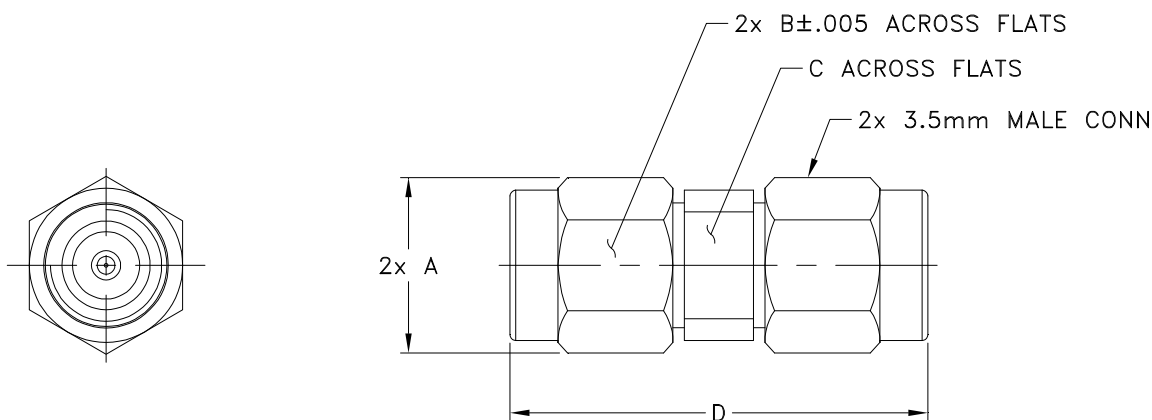


Outline Dimensions



CASE #	A	B	C	D	E	WT. GRAM
DJ1863	.36 (9.14)	.312 (7.93)	.275 (7.00)	.86 (21.80)	-- --	5.3

Dimensions are in inches (mm). Tolerances: 2 Pl. $\pm .03$; 3Pl. + .015

Notes:

1. Case material:Stainless Steel.
2. Finish: Passivation.