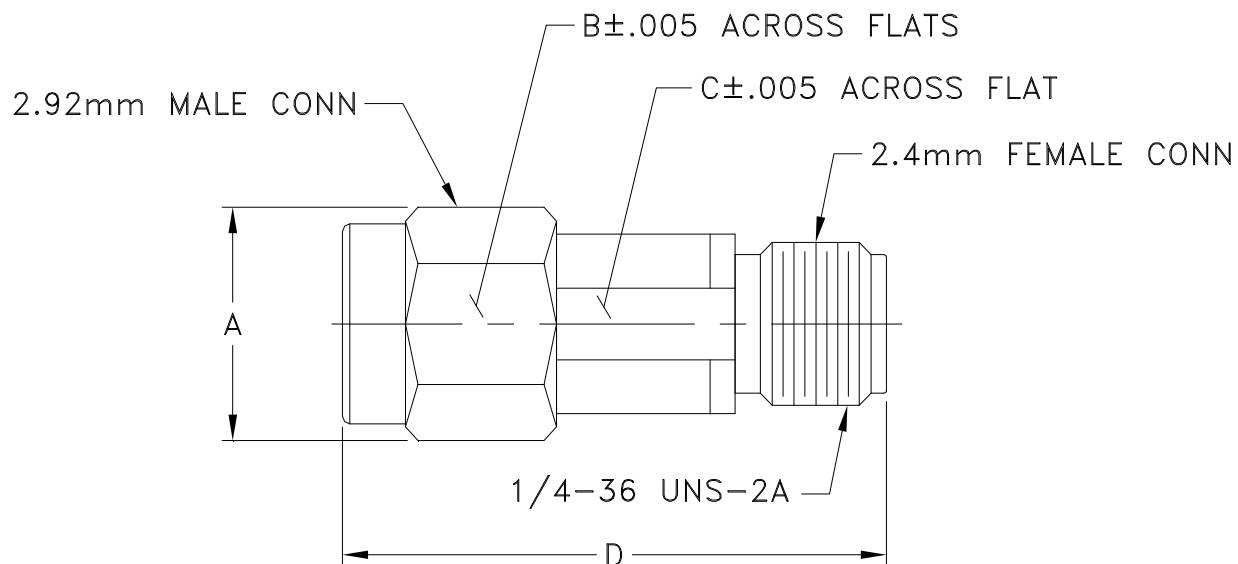


Outline Dimensions



CASE #	A	B	C	D	E	WT. GRAM
DJ2383	.36 (9.14)	.312 (7.93)	.236 (5.99)	.850 (21.59)	-- --	3.8

Dimensions are in inches (mm). Tolerances: 2 Pl. $\pm .03$; 3Pl. $+.015$

Note:

1. Case material: Stainless Steel.
2. Finish: Passivation.



P.O. Box 350166, Brooklyn, New York 11235-0003 (718) 934-4500 Fax (718) 332-4661 For detailed performance specs & shopping online see Mini-Circuits web site



The Design Engineers Search Engine Provides ACTUAL Data Instantly From MINI-CIRCUITS At: www.minicircuits.com

RF/IF MICROWAVE COMPONENTS