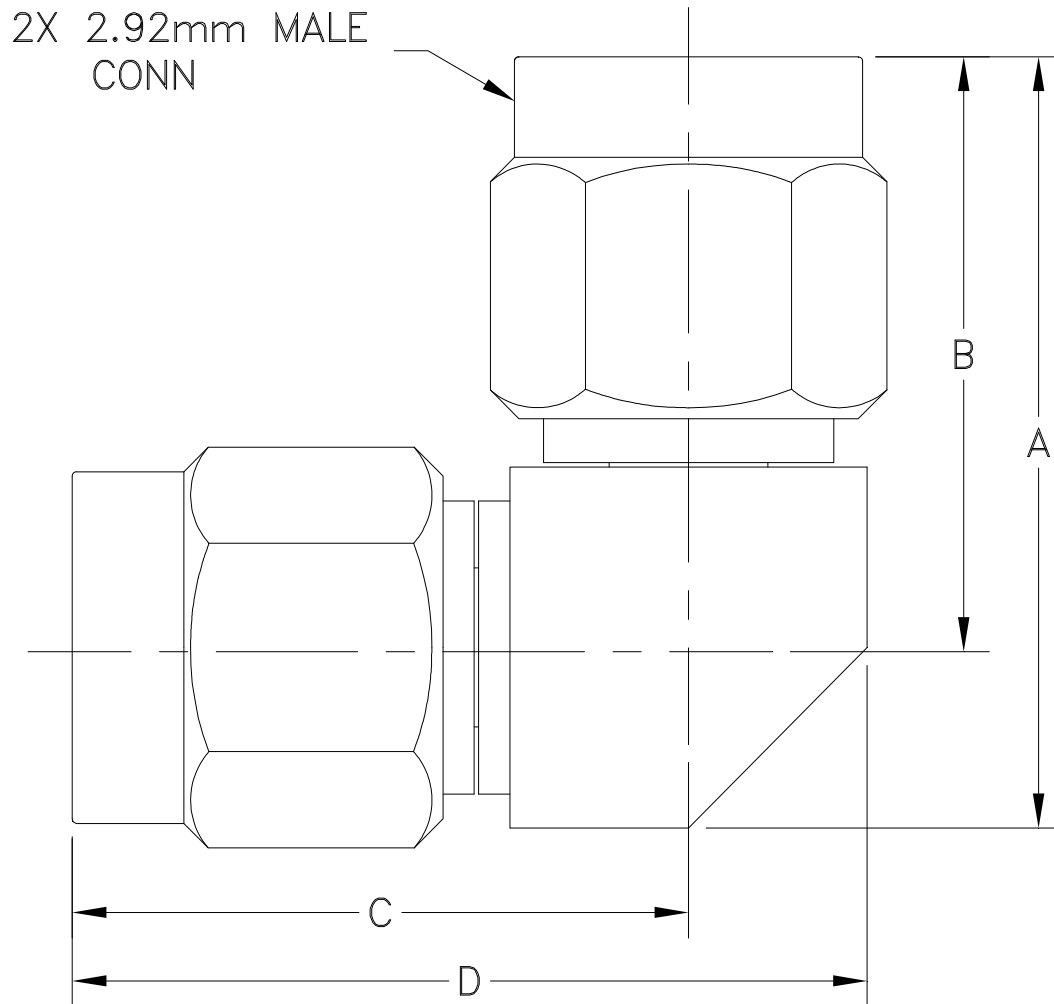


### Outline Dimensions



CASE#	A	B	C	D	E	WT. GRAM
DJ2442-4	.673 (17.10)	.520 (13.20)	.543 (13.80)	.701 (17.80)	- -	7.00

Dimensions are in inches (mm). Tolerances: 2 Pl.  $\pm .03$ ; 3 Pl.  $\pm .015$

#### Note:

1. Case material: Brass Alloy
2. Finish: Gold Plating



P.O. Box 350166, Brooklyn, New York 11235-0003 (718) 934-4500 Fax (718) 332-4661 For detailed performance specs & shopping online see Mini-Circuits web site



The Design Engineers Search Engine Provides ACTUAL Data Instantly From MINI-CIRCUITS At: [www.minicircuits.com](http://www.minicircuits.com)

RF/IF MICROWAVE COMPONENTS