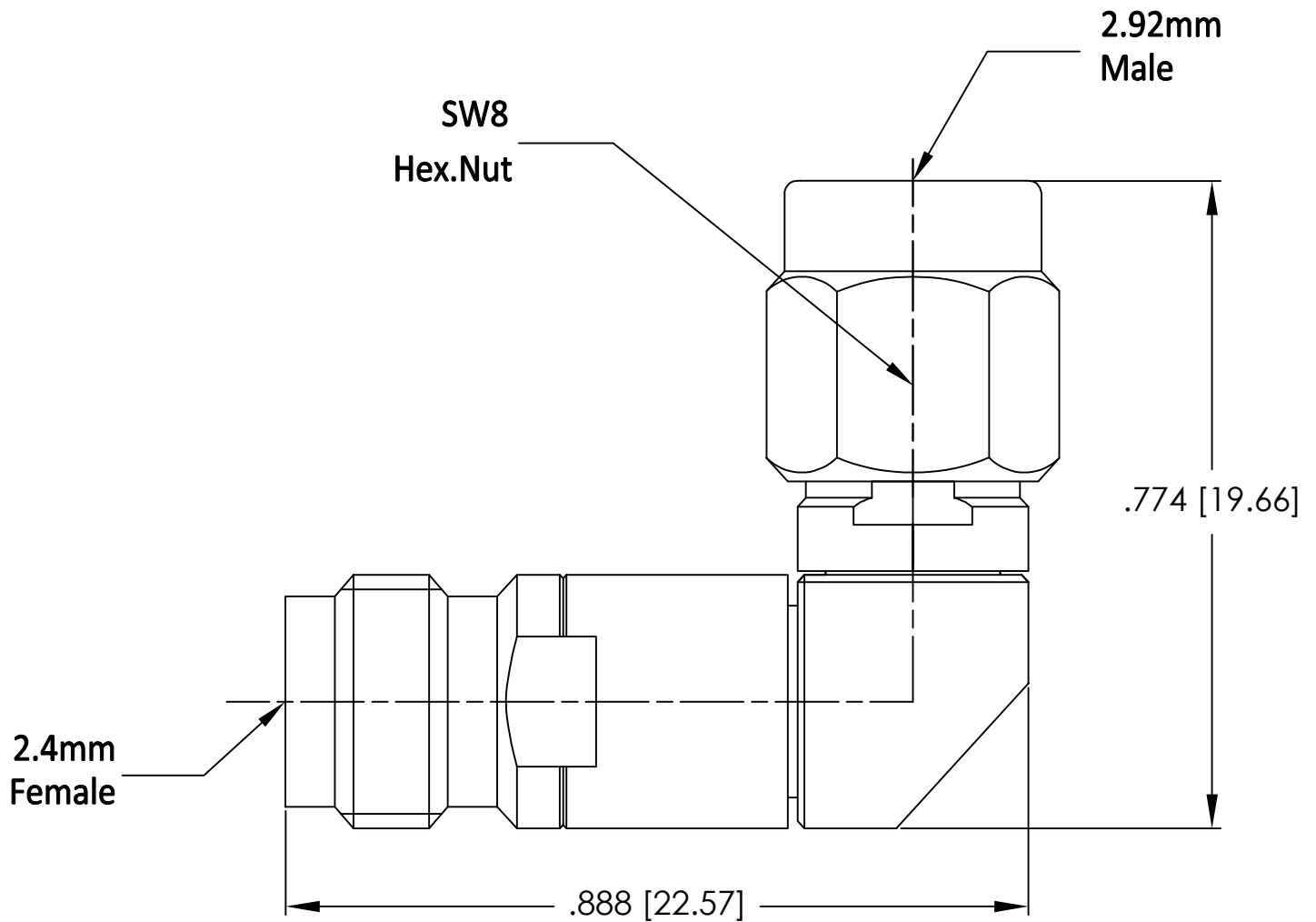


Case Style

DJ

Outline Dimensions

DJ2442-9



Weight: 6 grams.

Dimensions are in inches (mm). Tolerances: 2 Pl. $\pm .030$; 3 Pl. $\pm .015$

Notes:

1. Case material: Stainless Steel..
2. Finish: Passivation.

Mini-Circuits[®]
ISO 9001 ISO 14001 CERTIFIED

ALL NEW
minicircuits.com

P.O. Box 350166, Brooklyn, New York 11235-0003 (718) 934-4500 Fax (718) 332-4661 For detailed performance specs & shopping online see Mini-Circuits web site



The Design Engineers Search Engine Provides ACTUAL Data Instantly From MINI-CIRCUITS At: www.minicircuits.com

RF/IF MICROWAVE COMPONENTS