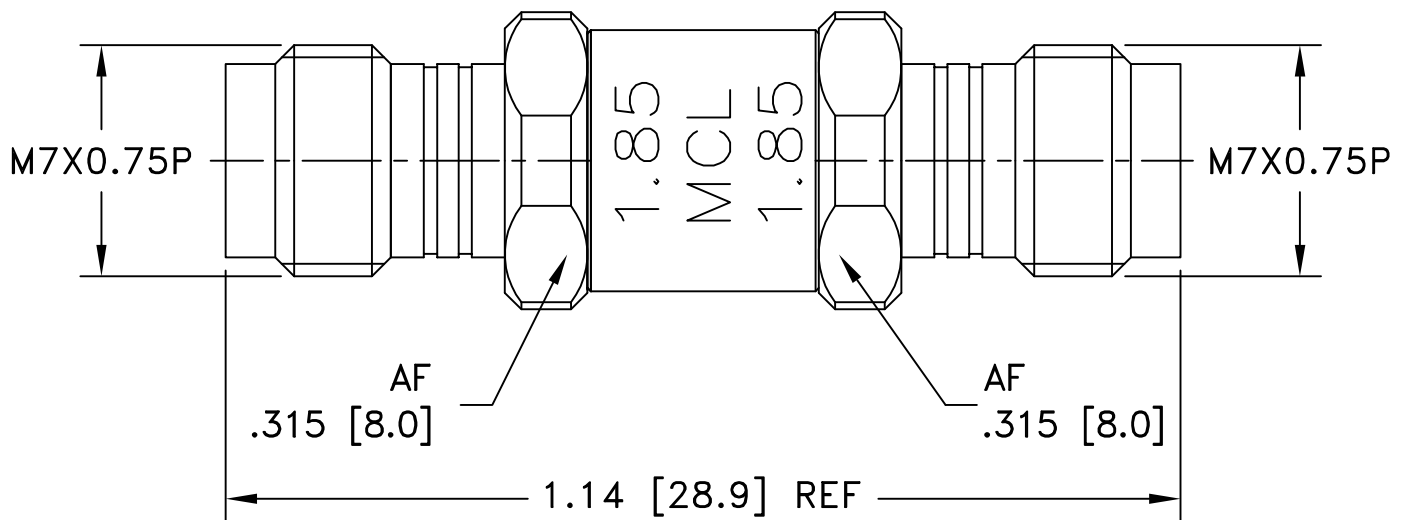


# Case Style

# DJ

## Outline Dimensions

### DJ2477-2



Weight: 4.0 grams

Dimensions are in inches (mm). Tolerances: 2 Pl.± .03; 3 Pl. ± .015

#### Notes:

1. Case material: Stainless Steel.
2. Finish: Passivation.

**Mini-Circuits®**  
ISO 9001 ISO 14001 CERTIFIED

ALL NEW  
minicircuits.com

P.O. Box 350166, Brooklyn, New York 11235-0003 (718) 934-4500 Fax (718) 332-4661 For detailed performance specs & shopping online see Mini-Circuits web site



The Design Engineers Search Engine Provides ACTUAL Data Instantly From MINI-CIRCUITS At: [www.minicircuits.com](http://www.minicircuits.com)

RF/IF MICROWAVE COMPONENTS