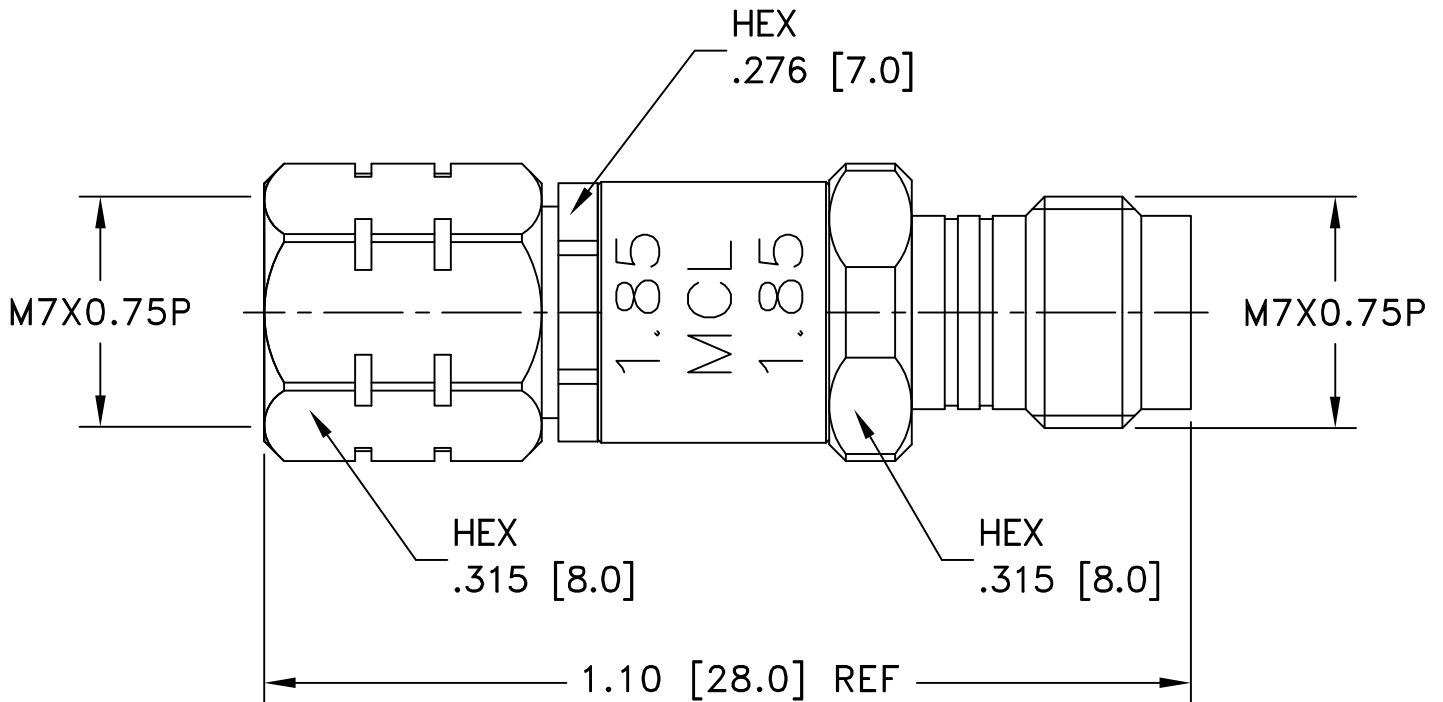


Case Style

DJ

Outline Dimensions

DJ2591-2



Weight: 5.0 grams

Dimensions are in inches (mm). Tolerances: 2 Pl.± .03; 3 Pl. ± .015

Notes:

1. Case material: Stainless Steel.
2. Finish: Passivation.

Mini-Circuits®
ISO 9001 ISO 14001 CERTIFIED

ALL NEW
minicircuits.com

P.O. Box 350166, Brooklyn, New York 11235-0003 (718) 934-4500 Fax (718) 332-4661 For detailed performance specs & shopping online see Mini-Circuits web site



The Design Engineers Search Engine Provides ACTUAL Data Instantly From MINI-CIRCUITS At: www.minicircuits.com

RF/IF MICROWAVE COMPONENTS