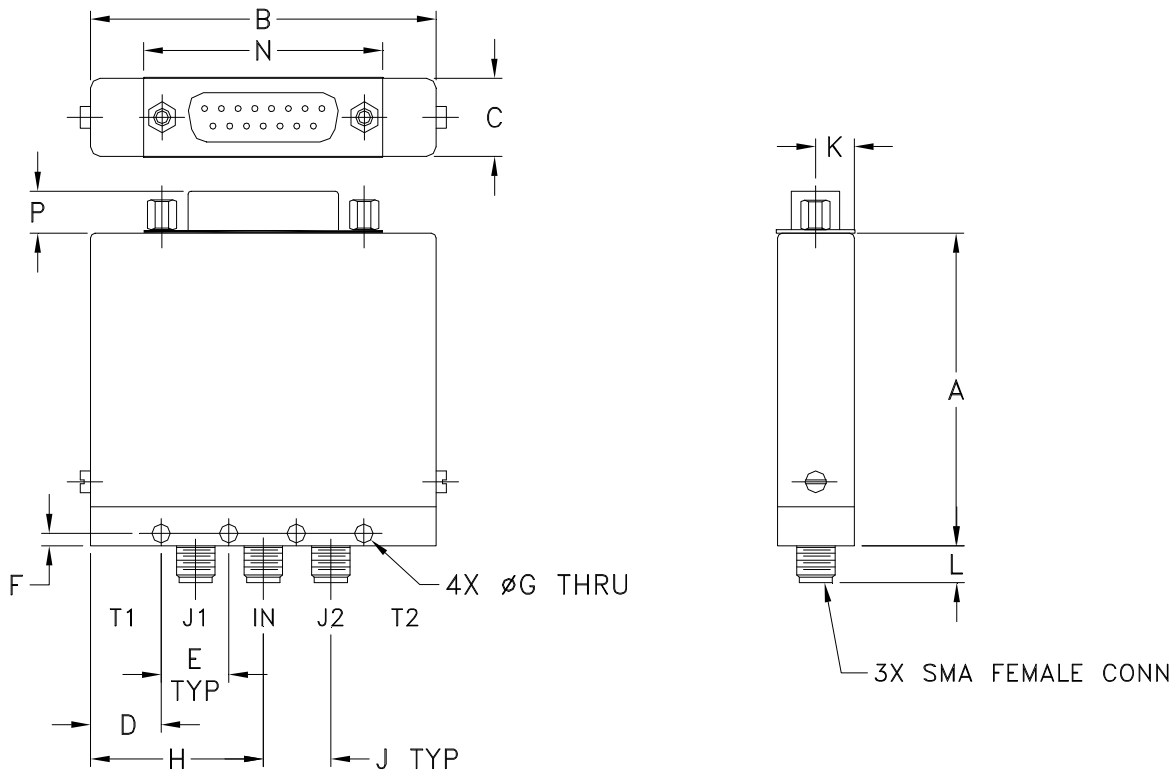


# Case Style

# FP

## Outline Dimensions

## FP914-3



CASE #.	A	B	C	D	E	F	G	H	J	K	L	M	N
FP914-3	2.00 (50.80)	2.25 (57.15)	.50 (12.70)	.460 (11.68)	.440 (11.18)	.080 (2.03)	.120 (3.05)	1.125 (28.58)	.440 (11.18)	.25 (6.35)	.24 (6.10)	--	1.55 (39.37)

CASE #.	P	WT, GRAM
FP914-3	.27 (6.86)	98

Dimensions are in inches (mm). Tolerances: 2Pl.  $\pm .03$ ; 3Pl.  $\pm .015$

### Note:

- Case material: Copper-Nickel alloy.

**Mini-Circuits**<sup>®</sup>

INTERNET <http://www.minicircuits.com>

P.O. Box 350166, Brooklyn, New York 11235-0003 (718) 934-4500 Fax (718) 332-4661

Distribution Centers NORTH AMERICA 800-654-7949 • 417-335-5935 • Fax 417-335-5945 • EUROPE 44-1252-832600 • Fax 44-1252-837010

Mini-Circuits ISO 9001 & ISO 14001 Certified