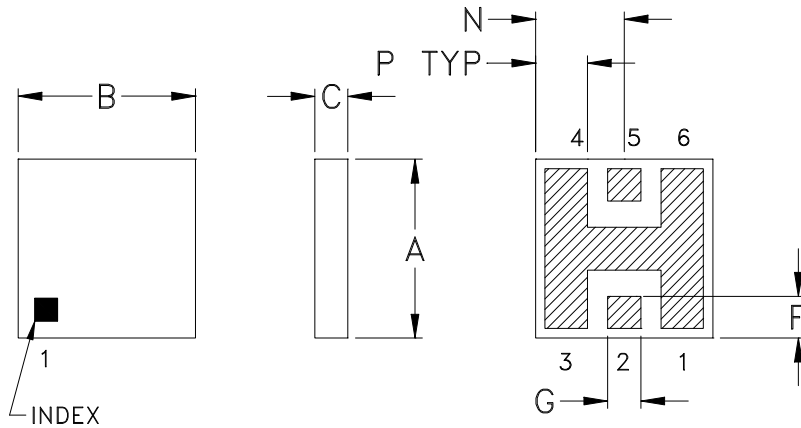
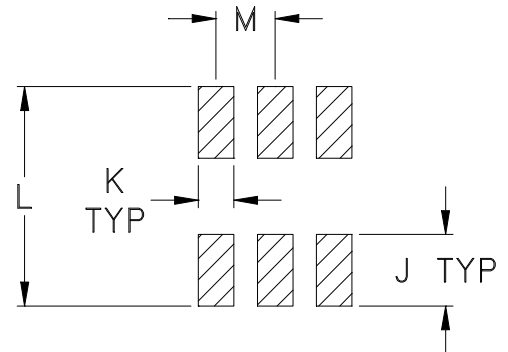


### Outline Dimensions



### PCB Land Pattern



Suggested Layout,  
Tolerance to be within  $\pm .002$

CASE #	A	B	C	D	E	F	G	H	J	K	L	M
FR933-1	.150 (3.81)	.150 (3.81)	.059 (1.50)	-- --	-- --	.035 (0.89)	.028 (0.71)	-- --	.060 (1.52)	.030 (0.76)	.184 (4.67)	.050 (1.27)

CASE #	N	P	WT. GRAM
FR933-1	.075 (1.91)	.044 (1.12)	0.15

Dimensions are in inches (mm). Tolerances: 2Pl.  $\pm .01$ ; 3 Pl.  $\pm .005$

#### Notes:

1. Open style, Ceramic Base.
2. Termination finish: Palladium Silver.