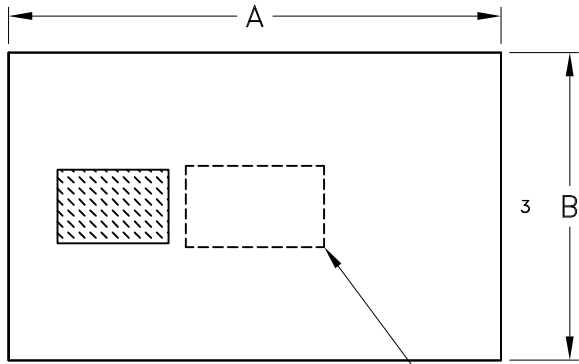


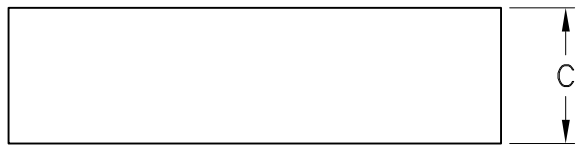
Outline Dimensions

GE0805C-13

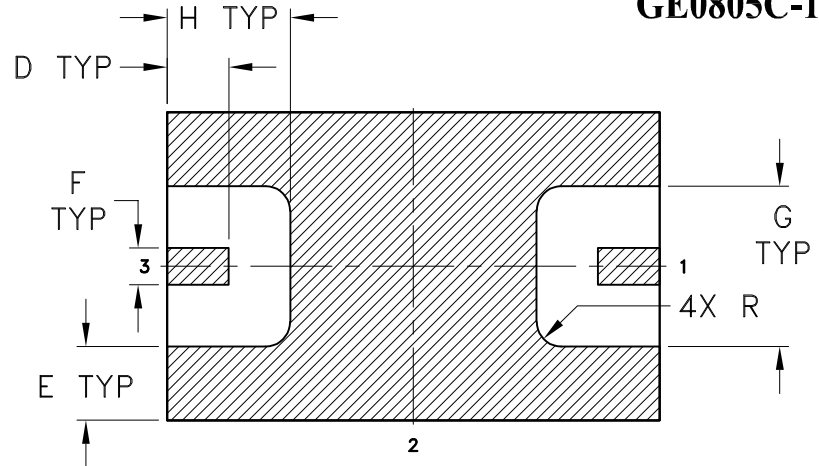


TOP VIEW

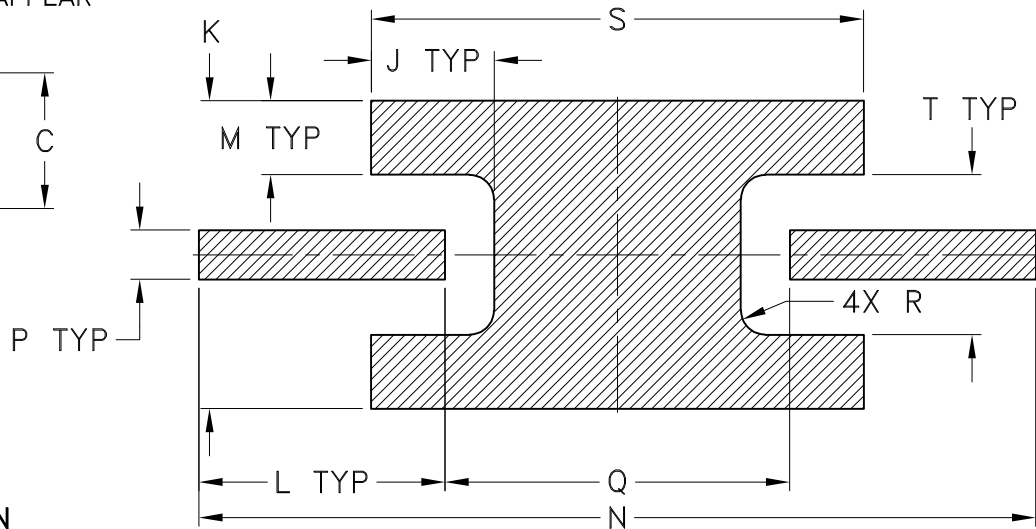
ALPHA-NUMERIC MARKINGS MAY APPEAR



FRONT VIEW



BOTTOM VIEW



Suggested Layout,
Tolerance to be within ± 0.002 [.05]

NOTES:

1. DENOTES METALLIZATION

CASE#	A	B	C	D	E	F	G	H	J	K	L	M	N	P	Q	R
GE0805C-13	.079 (2.00)	.049 (1.25)	.022 (.55)	.010 (.25)	.012 (.30)	.006 (.15)	.026 (.65)	.020 (.50)	.020 (.50)	.049 (1.25)	.039 (1.00)	.012 (.30)	.134 (3.40)	.008 (.20)	.055 (1.40)	.004 (.10)

CASE#	S	T	WT, GRAM
GE0805C-13	.079 (2.00)	.026 (.65)	0.011

Dimensions are in inches (mm). Tolerances: 2 Pl. ± 0.01 (.25); 3 Pl. ± 0.005 (.100)

Notes:

- Open style, ceramic base.
- Termination finish: For RoHS Case Styles: Tin plate over Nickel plate. All models, (+) suffix.
For RoHS-5 Case Styles: Tin-Lead plate over Nickel plate. All models, no (+) suffix.



P.O. Box 350166, Brooklyn, New York 11235-0003 (718) 934-4500 Fax (718) 332-4661 For detailed performance specs & shopping online see Mini-Circuits web site



The Design Engineers Search Engine Provides ACTUAL Data Instantly From MINI-CIRCUITS At: www.minicircuits.com

RF/IF MICROWAVE COMPONENTS