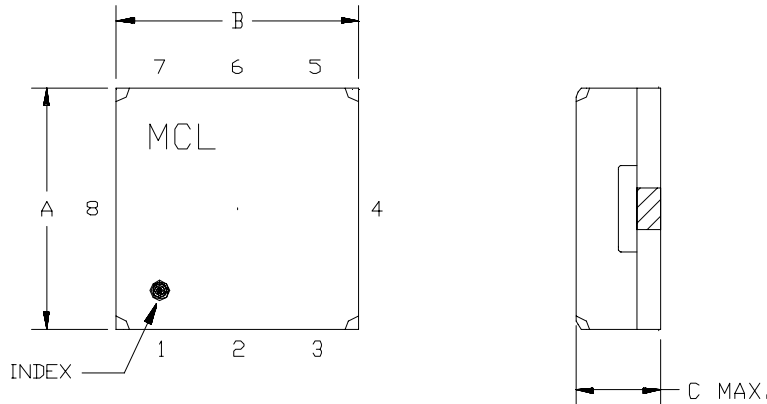


# Case Style

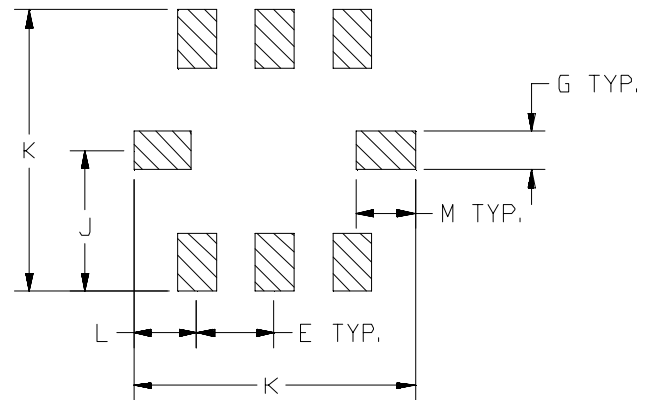
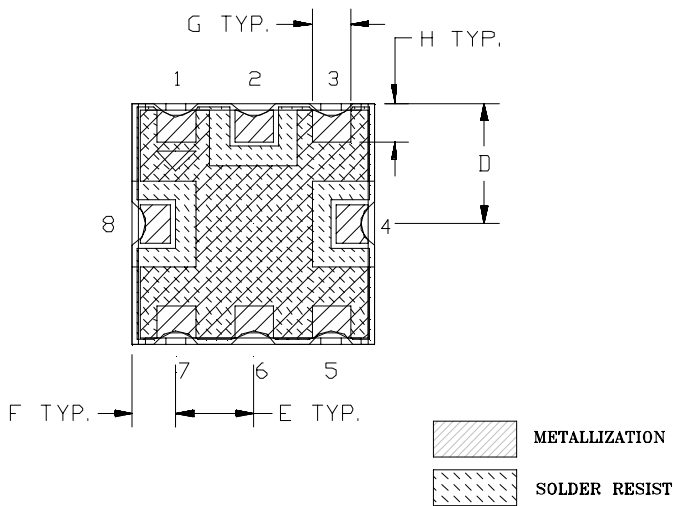
# GQ

## Outline Dimensions

GQ1018



## PCB Land Pattern



Suggested Layout,  
Tolerance to be within  $\pm 0.002$

CASE #	A	B	C	D	E	F	G	H	J	K	L	M	WT. GRAMS
GQ1018	.25 (6.35)	.25 (6.35)	.10 (2.54)	.125 (3.18)	.080 (2.03)	.045 (1.14)	.040 (1.02)	.040 (1.02)	.145 (3.68)	.290 (7.37)	.065 (1.65)	.060 (1.52)	.25

Dimensions are in inches (mm). Tolerances: 2 Pl.  $\pm 0.01$ "; 3 Pl.  $\pm 0.005$ "

### Notes:

- Case material: Nickel-Silver alloy.
- Base: Printed wiring laminate.
- Termination finish:
  - For RoHS Case Styles: 3-5  $\mu$  inch Gold over 120-240  $\mu$  inch Nickel plate.
  - For RoHS-5 Case Styles: Tin-Lead plate.



P.O. Box 350166, Brooklyn, New York 11235-0003 (718) 934-4500 Fax (718) 332-4661 For detailed performance specs & shopping online see Mini-Circuits web site



The Design Engineers Search Engine Provides ACTUAL Data Instantly From MINI-CIRCUITS At: [www.minicircuits.com](http://www.minicircuits.com)

RF/IF MICROWAVE COMPONENTS