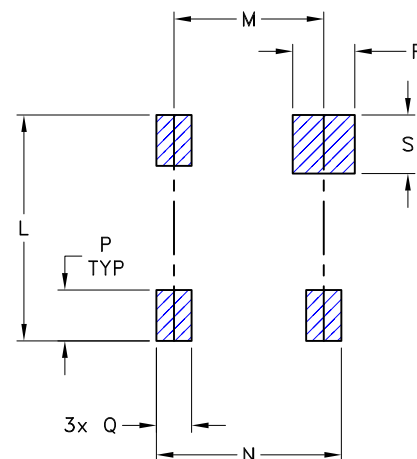


### PCB Land Pattern



**SUGGESTED LAYOUT  
FOR PCB LAND PATTERN**  
TOLERANCE TO BE WITHIN  $\pm 0.002$

**NOTES:**

1.  DENOTES METALLIZATION

CASE #	A	B	C	D	E	F	G	H	J	K	L	M	N	P
GU1414-4	.150 (3.81)	.150 (3.81)	.110 (2.79)	.020 (.51)	.031 (.80)	.026 (.66)	.015 (.38)	.106 (2.69)	.022 (.56)	.034 (.86)	.160 (4.06)	.106 (2.69)	.131 (3.33)	.036 (.91)
CASE #	Q	R	S	T	WT, GRAM									
GU1414-4	.025 (.63)	.044 (1.12)	.042 (1.05)	.175 (4.44)	.054									

Dimensions are in inches (mm). Tolerances: 2 Pl.  $\pm 0.01$ ; 3 Pl.  $\pm 0.005$

**Notes:**

- Case material: Plastic
- Termination finish: Gold Plating.



P.O. Box 350166, Brooklyn, New York 11235-0003 (718) 934-4500 Fax (718) 332-4661 For detailed performance specs & shopping online see Mini-Circuits web site



The Design Engineers Search Engine Provides ACTUAL Data Instantly From MINI-CIRCUITS At: [www.minicircuits.com](http://www.minicircuits.com)

RF/IF MICROWAVE COMPONENTS