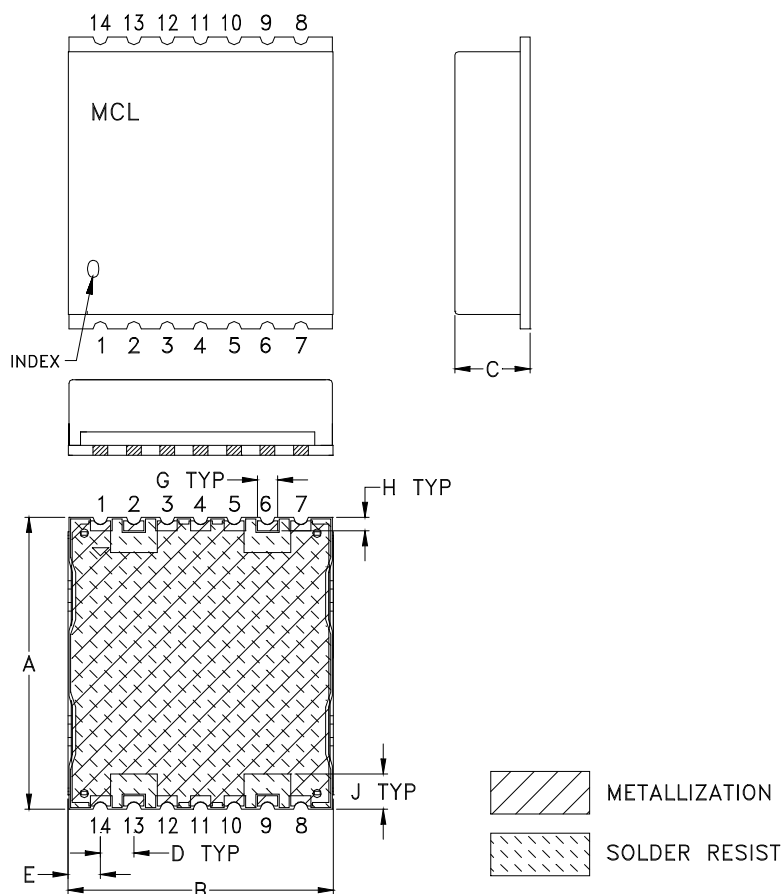
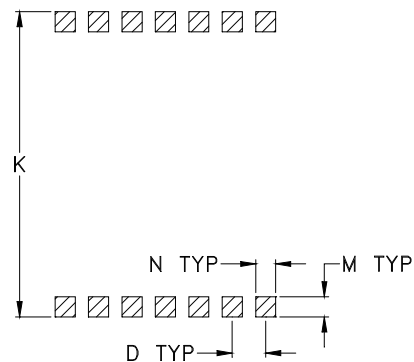


Outline Dimensions

HU1186



PCB Land Pattern



Suggested Layout,
Tolerance to be within ± 0.002

CASE#	A	B	C	D	E	F	G	H	J	K	L	M	N	P	WT, GRAM
HU1186	.870 (22.10)	.800 (20.32)	.25 (6.35)	.100 (2.54)	.097 (2.46)	-	.060 (1.52)	.040 (1.02)	.105 (2.67)	.910 (23.11)	-	.060 (1.52)	.060 (1.52)	-	2.85

Dimensions are in inches (mm). Tolerances: 2PL. +/- .03; 3PL. +/- .015

Notes:

- Case material: Nickel-Silver alloy.
- Base: Printed wiring laminate.
- Termination finish:
For RoHS Case Styles: 2-5 μ inch (.05-.13 microns) Gold over 120-240 μ inch (3.05-6.10 microns) Nickel plate.
For RoHS-5 Case Styles: Tin-Lead plate.

Mini-Circuits®
ISO 9001 ISO 14001 CERTIFIED

ALL NEW
minicircuits.com

P.O. Box 350166, Brooklyn, New York 11235-0003 (718) 934-4500 Fax (718) 332-4661 For detailed performance specs & shopping online see Mini-Circuits web site



The Design Engineers Search Engine Provides ACTUAL Data Instantly From MINI-CIRCUITS At: www.minicircuits.com

RF/IF MICROWAVE COMPONENTS