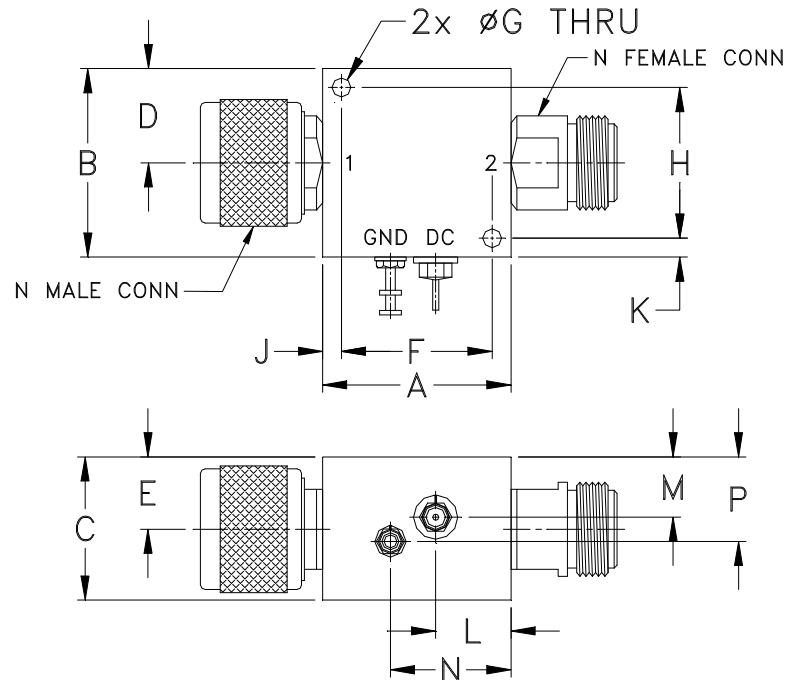


Outline Dimensions



CASE#	A	B	C	D	E	F	G	H	J	K	L	M	N
K1486	1.25 (31.75)	1.25 (31.75)	.95 (24.13)	.63 (16.00)	.47 (11.94)	1.000 (25.40)	.125 (3.18)	1.000 (25.40)	.13 (3.18)	.13 (3.18)	.50 (12.70)	.40 (10.16)	.80 (20.32)

CASE#	P	Q	WT. GRAMS
K1486	.56 (14.22)	--	117.0

Dimensions are in inches (mm). Tolerances: 2 Pl. $\pm .03$; 3 Pl. $\pm .015$

Notes:

1. Case material: Aluminum alloy.
2. Case finish:
For RoHS Case Styles: Clear chemical conversion coating, non-chrome or trivalent chrome based.
3. Refer to the individual model data sheet for the type of connectors available