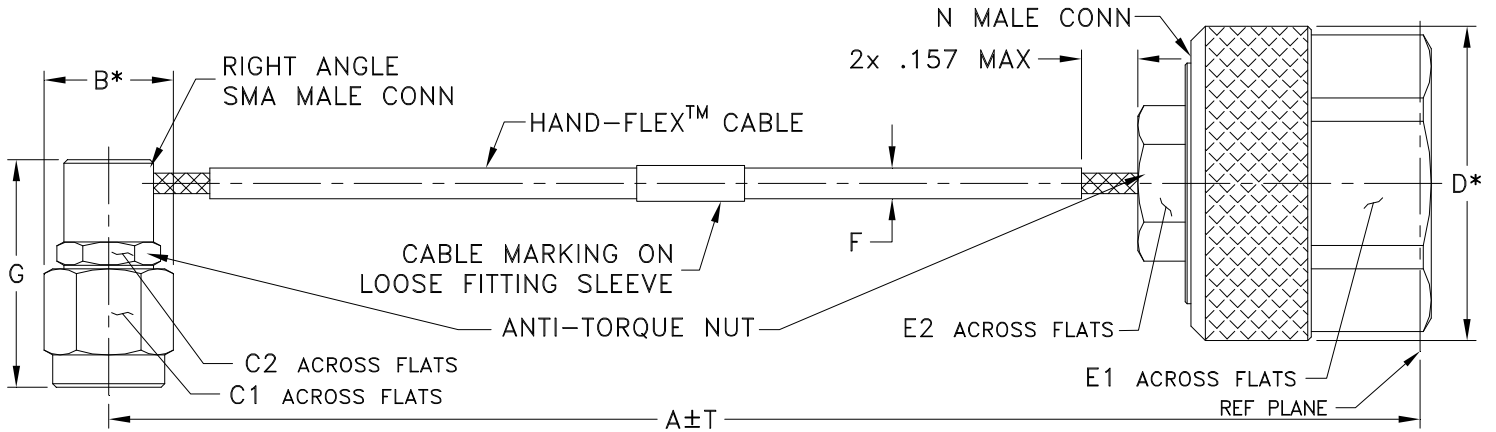


Outline Dimensions



* OVERALL CONNECTOR DIMENSION (CONNECTOR SHAPE MAY VARY)

KQ1995 SERIES
 RIGHT ANGLE SMA MALE (CONN-1)
 N MALE (CONN-2)

CASE STYLE #	A		B	C1	C2	D	E1	E2	F		G	H
	INCH	MM							141U-ASMRNM+	141U-ASMRNM+		
KQ1995-10	10.00	254.00	.36 (9.14)	0.313 (7.95)	0.250 (6.35)	0.88 (22.35)	0.75 (19.05)	0.375 (9.53)	.141±.003 (3.58±0.07)	.163±.004 (4.14±0.10)	.728±.020 (18.50±0.50)	-

CASE STYLE #	T		WEIGHT GRAMS
	INCH	MM	
KQ1995-10	0.10	2.54	45

Unless otherwise specified dimensions are in inches (mm).
 Tolerances: 2Pl. ± .03; 3Pl. ± .015

Note:

- 141 Hand-Flex™ Coaxial Cable.
- "A" represents length of cable.



P.O. Box 350166, Brooklyn, New York 11235-0003 (718) 934-4500 Fax (718) 332-4661 For detailed performance specs & shopping online see Mini-Circuits web site



The Design Engineers Search Engine Provides ACTUAL Data Instantly From MINI-CIRCUITS At: www.minicircuits.com

RF/IF MICROWAVE COMPONENTS