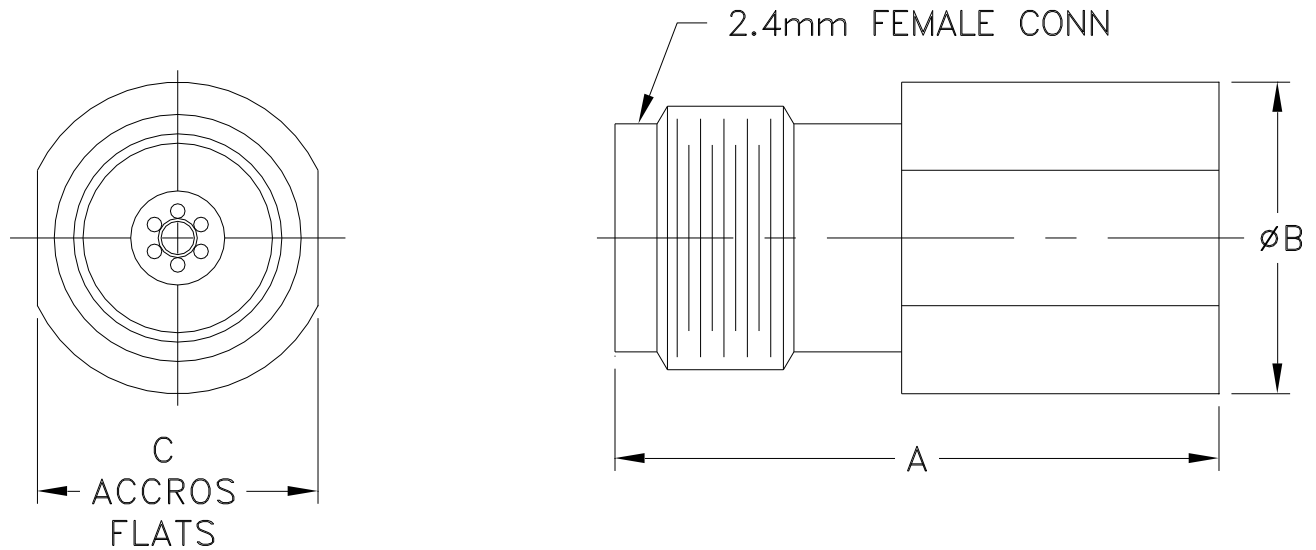


Case Style

LL

Outline Dimensions

LL2592-1



CASE #	A	B	C	D	E	WT. GRAM
LL2592-1	.605 (15.4)	.312 (7.9)	.281 (7.1)	-- --	-- --	4.5

Dimensions are in inches (mm). Tolerances: 2Pl. ± .030; 3Pl. ± .015

Notes:

1. Case material: Stainless Steel.
2. Case Finish: Passivated.



P.O. Box 350166, Brooklyn, New York 11235-0003 (718) 934-4500 Fax (718) 332-4661 For detailed performance specs & shopping online see Mini-Circuits web site



The Design Engineers Search Engine Provides ACTUAL Data Instantly From MINI-CIRCUITS At: www.minicircuits.com

RF/IF MICROWAVE COMPONENTS