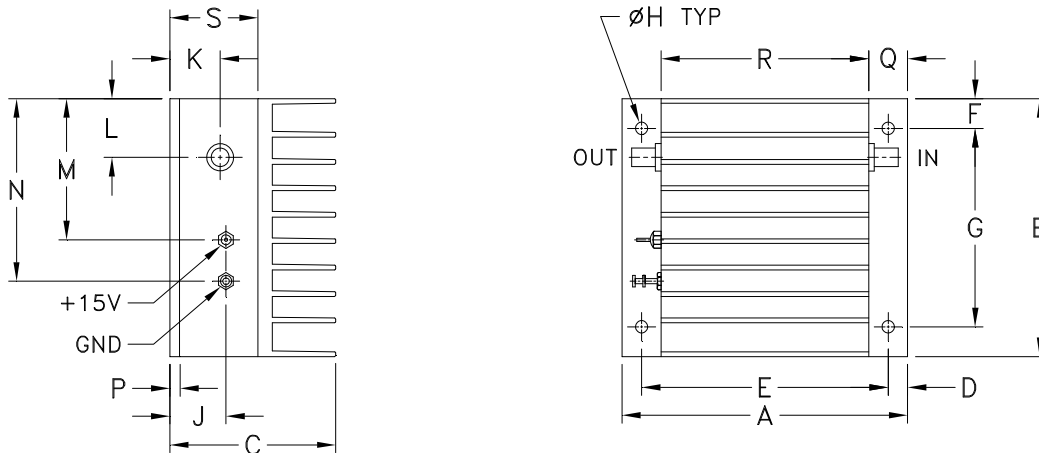
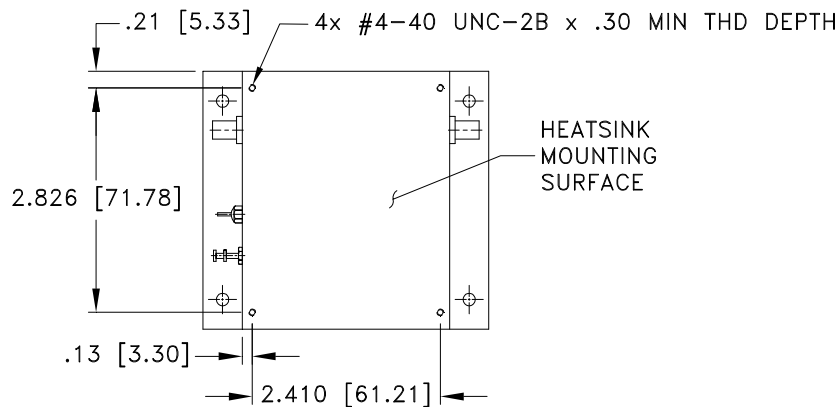


Outline Dimensions



MOUNTING INFORMATION FOR MODELS WITHOUT HEATSINK



CASE#	A	B	C	D	E	F	G	H	J	K	L	M	N
NN92	3.66 (92.96)	3.25 (82.55)	2.13 (54.10)	.25 (6.35)	3.16 (80.26)	.38 (9.65)	2.50 (63.50)	.156 (3.96)	.72 (18.29)	.64 (16.26)	.74 (18.80)	1.78 (45.21)	2.30 (58.42)

CASE#	P	Q	R	S	WT. GRAMS	WT. WITHOUT HEATSINK GRAMS
NN92	.125 (3.18)	.50 (12.70)	2.66 (67.56)	1.13 (28.58)	500.0	362.0

Dimensions are in inches (mm). Tolerances: 2 Pl. + .03; 3 Pl. + .015

Notes:

- Case material: Aluminum alloy.
- Case and mounting bracket finish:
For RoHS Case Styles: Clear chemical conversion coating, non-chrome or trivalent chrome based.
- Heat sink finish: Black anodize.

Mini-Circuits[®]

INTERNET <http://www.minicircuits.com>

P.O. Box 350166, Brooklyn, New York 11235-0003 (718) 934-4500 Fax (718) 332-4661

Distribution Centers NORTH AMERICA 800-654-7949 • 417-335-5935 • Fax 417-335-5945 • EUROPE 44-1252-832600 • Fax 44-1252-837010

Mini-Circuits ISO 9001 & ISO 14001 Certified