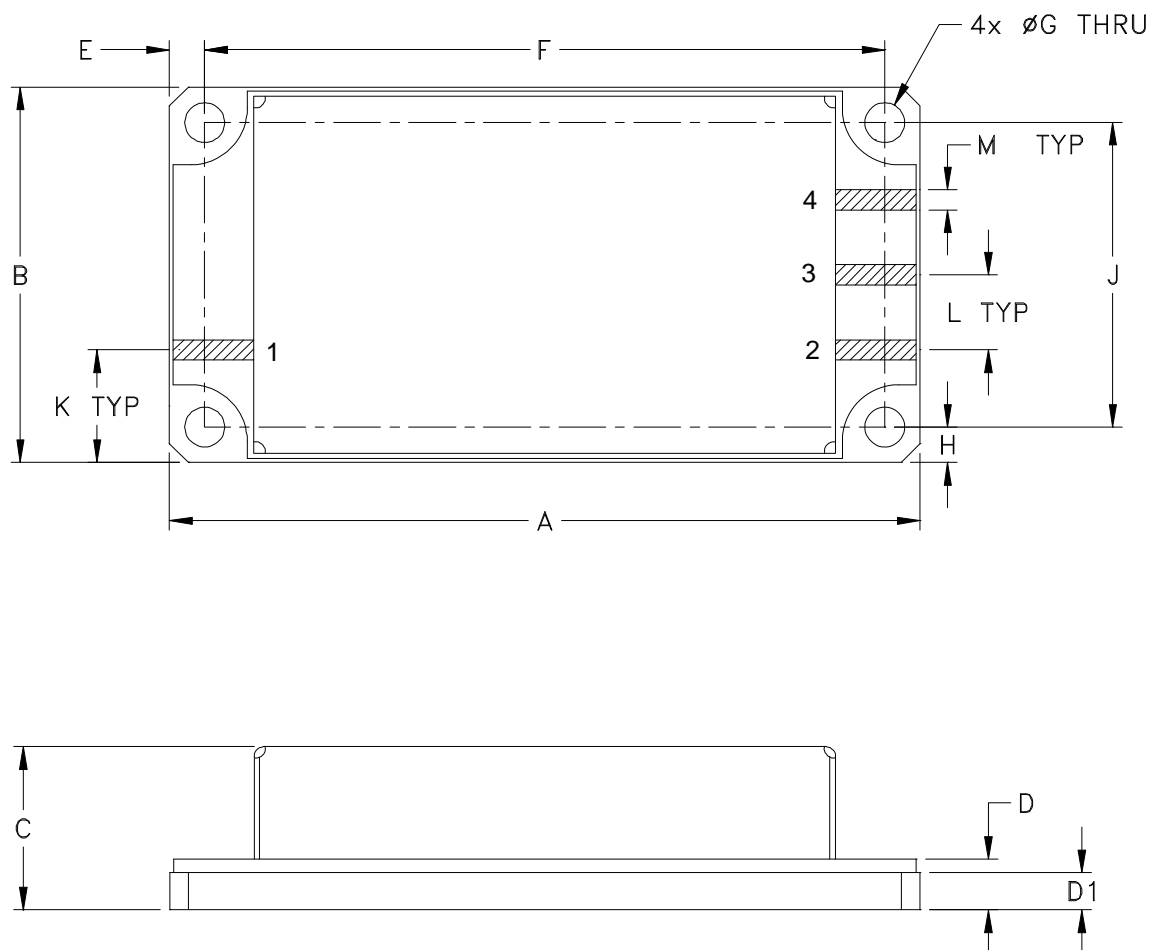


Outline Dimensions



CASE#	A	B	C	D	D1	E	F	G	H	J	K	L	M	WT GRAMS
NP1933	2.00 (50.80)	1.00 (25.4)	.44 (11.18)	.14 (3.56)	.110 (2.79)	.094 (2.39)	1.812 (46.02)	.106 (2.69)	.095 (2.41)	.810 (20.57)	.30 (7.62)	.20 (5.08)	.050 (1.27)	35

Dimensions are in inches (mm). Tolerances: 2 Pl. $\pm .03$; 3 Pl. $\pm .015$

Notes:

1. Can material: Nickel Silver
2. Base plate material: brass Alloy
3. Base plate Finish:
For RoHS Case Styles: Tri-Metal Plating



INTERNET <http://www.minicircuits.com>

P.O. Box 350166, Brooklyn, New York 11235-0003 (718) 934-4500 Fax (718) 332-4661

Distribution Centers NORTH AMERICA 800-654-7949 • 417-335-5935 • Fax 417-335-5945 • EUROPE 44-1252-832600 • Fax 44-1252-837010

Mini-Circuits ISO 9001 & ISO 14001 Certified