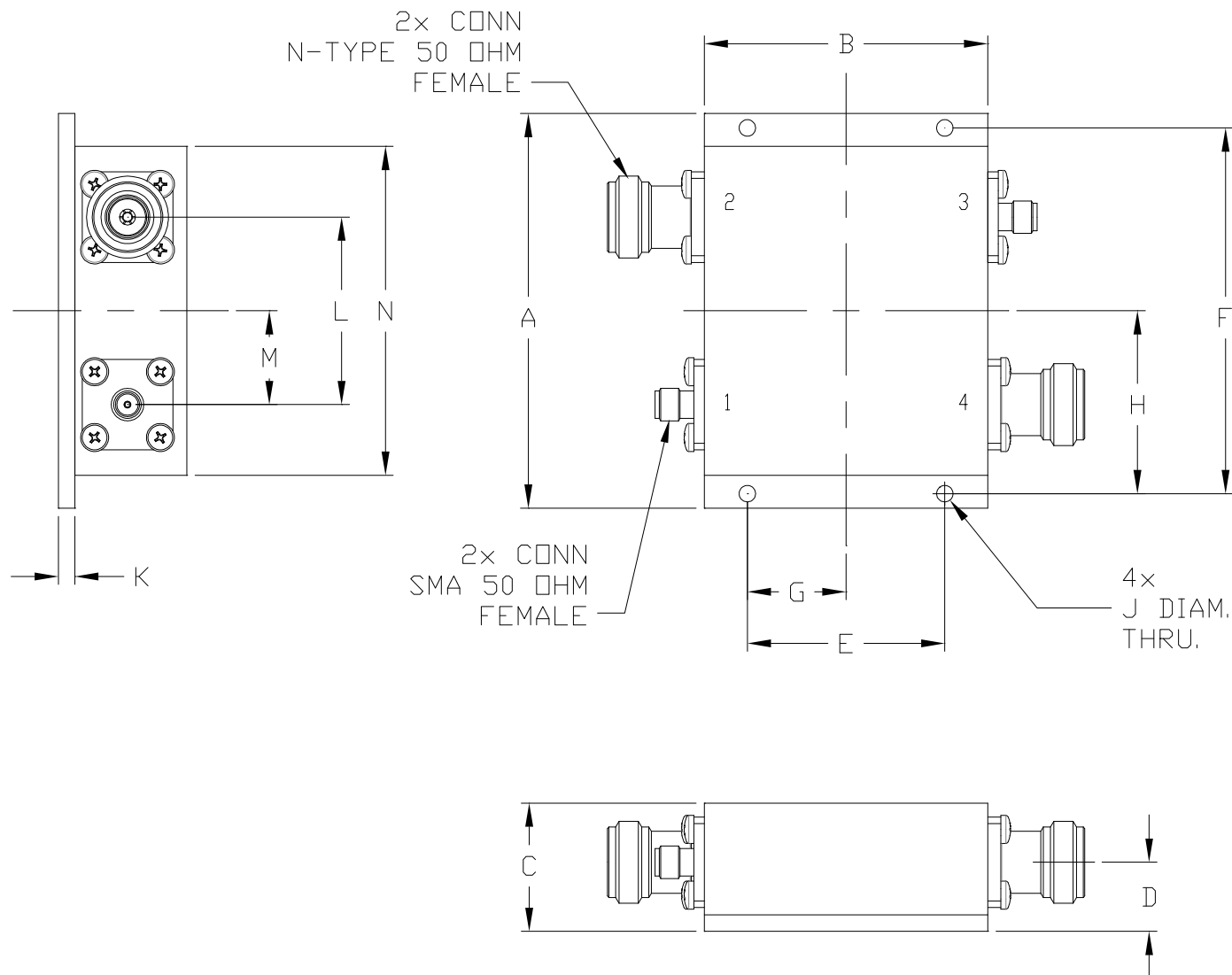


Case Style

RC

Outline Dimensions

RC2504



CASE#	A	B	C	D	E	F	G	H	J	K	L	M	N	WT. GRAMS
RC2504	3.000 (76.20)	2.154 (54.71)	.975 (24.76)	.525 (13.33)	1.500 (38.10)	2.780 (70.61)	.750 (19.05)	1.390 (35.31)	.125 (3.18)	.125 (3.18)	1.425 (36.19)	.713 (18.11)	2.500 (63.50)	230

Dimensions are in inches (mm). Tolerances: 2PL. +/- .03; 3PL. +/- .015

Notes:

1. Case material: Aluminum alloy.
2. Case finish: Nickel Plate.

Mini-Circuits[®]

INTERNET <http://www.minicircuits.com>

P.O. Box 350166, Brooklyn, New York 11235-0003 (718) 934-4500 Fax (718) 332-4661

Distribution Centers NORTH AMERICA 800-654-7949 • 417-335-5935 • Fax 417-335-5945 • EUROPE 44-1252-832600 • Fax 44-1252-837010

Mini-Circuits ISO 9001 & ISO 14001 Certified