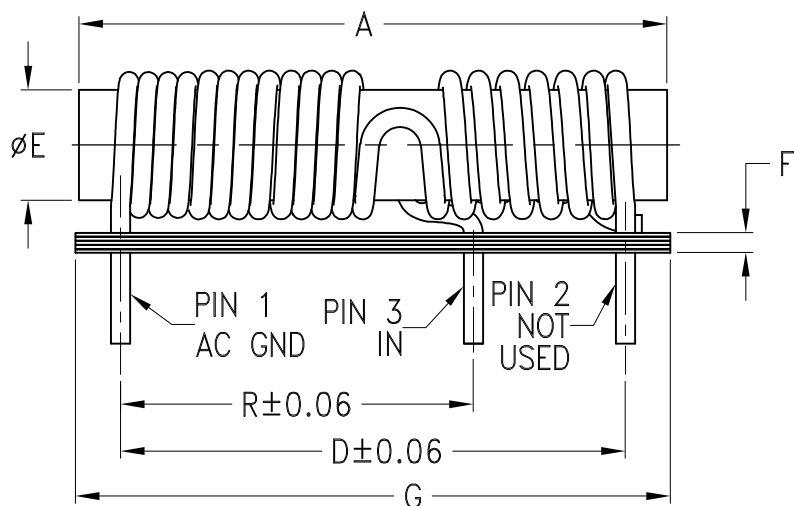
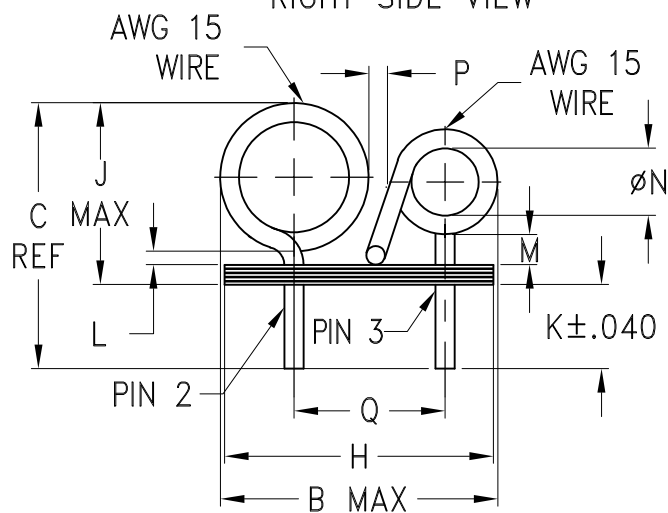


FRONT VIEW



RIGHT SIDE VIEW



| CASE# | A | B | C | D | E | F | G | H | J | K | L | M | N |
|--------|-----------------|-----------------|----------------|-----------------|----------------|----------------|-----------------|----------------|-----------------|---------------|----------------|---------------|----------------|
| SD2827 | 1.75 [44.45] | .866 [22.00] | .80 [20.32] | 1.50 [38.15] | .328 [8.33] | .059 [1.50] | 1.77 [44.96] | .80 [20.32] | .551 [14.00] | .25 [6.35] | .040 [1.02] | .09 [2.29] | .200 [5.08] |

| CASE# | P | Q | R | WT, GRAM |
|--------|----------------|-----------------|-----------------|----------|
| SD2827 | .055 [1.40] | .450 [11.43] | 1.05 [26.67] | 32.0 |

Dimensions are in inches [mm]. Tolerances: 2 Pl.±.03; 3 Pl. ±.015