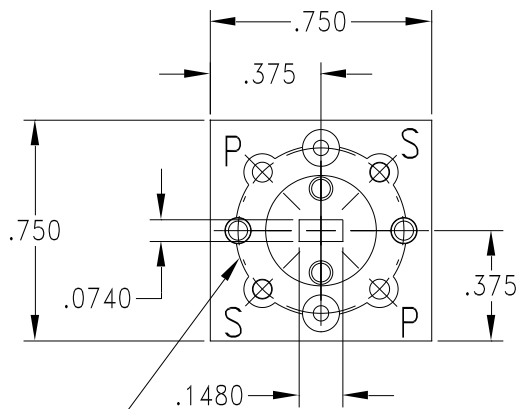
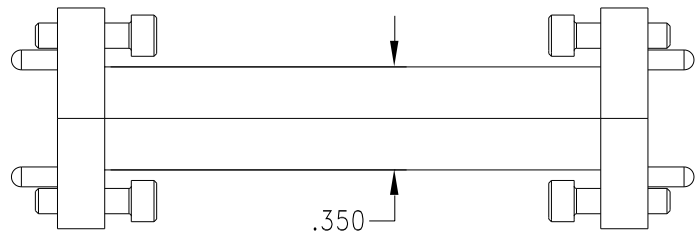


Case Style

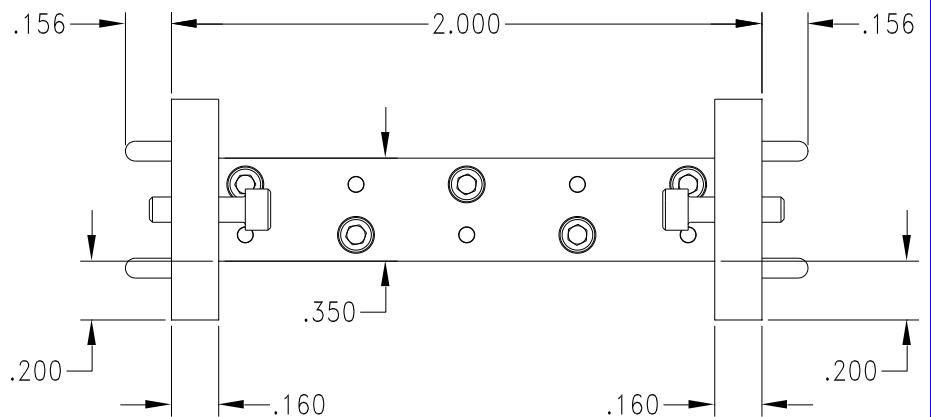
TH

Outline Dimensions

TH2793-1



WR-15 WAVEGUIDE:
FLANGE UG-387/U-M
(BOTH SIDES)



Tolerance: $\pm .002$

Notes:

1. Case Material: Aluminum alloy.
2. Case Finish: Gold plating.
3. Weight: 200 grams
4. Item may be supplied with Dust Caps

 **Mini-Circuits**[®]
ISO 9001 ISO 14001 CERTIFIED

ALL NEW
 minicircuits.com

P.O. Box 350166, Brooklyn, New York 11235-0003 (718) 934-4500 Fax (718) 332-4661 For detailed performance specs & shopping online see Mini-Circuits web site



The Design Engineers Search Engine Provides ACTUAL Data Instantly From MINI-CIRCUITS At: www.minicircuits.com

RF/IF MICROWAVE COMPONENTS