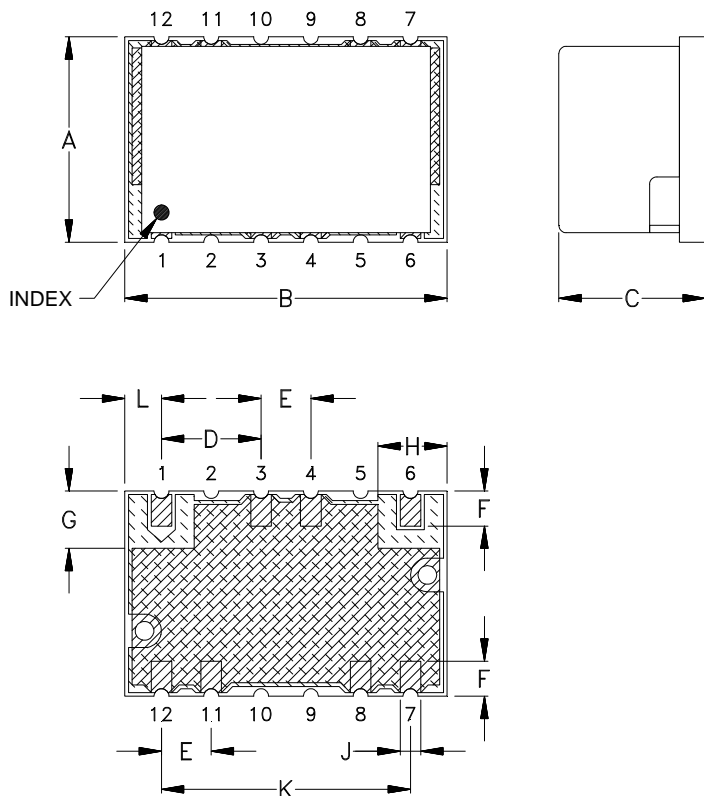


Case Style

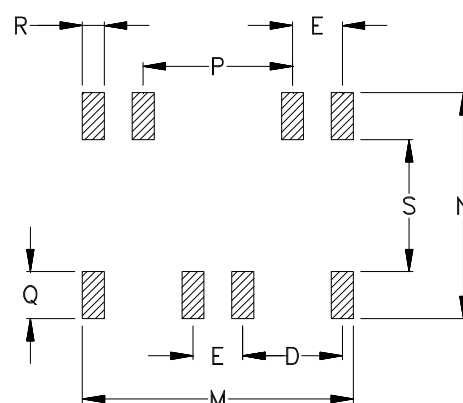
TK



Outline Dimensions

TK2678



PCB LAND PATTERN



 METALLIZATION
 SOLDER RESIST

CASE#	A	B	C	D	E	F	G	H	J	K	L	M
TK2678	.276 (7.01)	.433 (11.00)	.197 (5.00)	.134 (3.40)	.067 (1.70)	.047 (1.19)	.077 (1.96)	.093 (2.36)	.028 (0.71)	.335 (8.51)	.049 (1.24)	.364 (9.25)

CASE#	N	P	Q	R	S	WT.GRAMS
TK2678	.303 (7.67)	.201 (5.11)	.063 (1.60)	.030 (0.76)	.177 (4.50)	0.6

Dimensions are in inches (mm). Tolerances: 2PL. ± .03; 3PL. ± .015

Notes:

- Case material: Nickel-Silver alloy.
- Base: Printed wiring laminate.
- Termination finish:
For RoHS Case Styles: 2-5 μ inch (.05-.13 microns) Gold over 120-240 μ inch (3.05-6.10 microns) Nickel plate.
All models, (+) suffix.

Mini-Circuits®
ISO 9001 ISO 14001 CERTIFIED

ALL NEW
minicircuits.com

P.O. Box 350166, Brooklyn, New York 11235-0003 (718) 934-4500 Fax (718) 332-4661 For detailed performance specs & shopping online see Mini-Circuits web site



The Design Engineers Search Engine Provides ACTUAL Data Instantly From MINI-CIRCUITS At: www.minicircuits.com

RF/IF MICROWAVE COMPONENTS