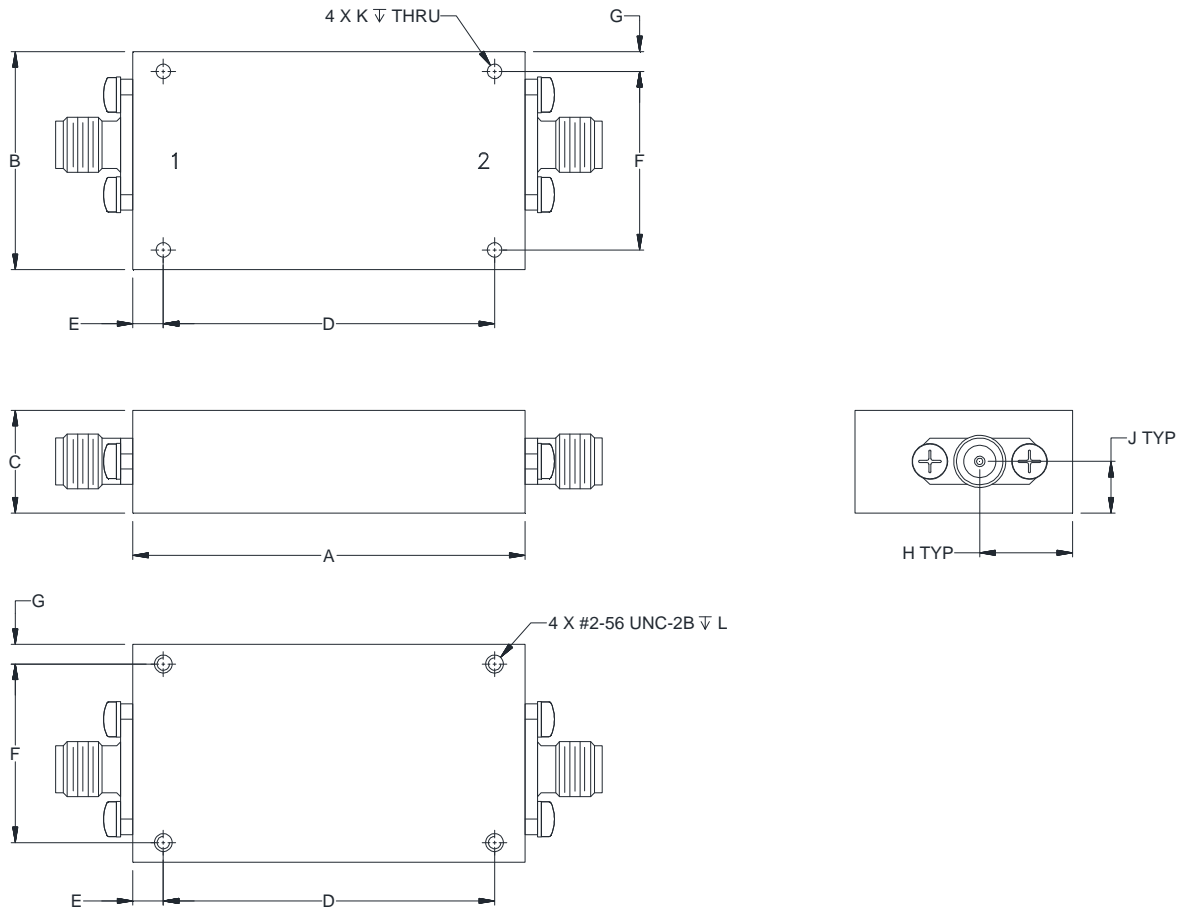


Outline Dimensions

TU2841



CASE#	A	B	C	D	E	F
TU2841	1.89 (48.1)	1.05 (26.7)	.50 (12.6)	1.600 (40.64)	.15 (3.7)	.860 (21.84)

CASE#	G	H	J	K	L	WT. GRAMS
TU2841	.10 (2.4)	.45 (11.4)	.25 (6.3)	.070 (1.78)	.100 (2.54)	93

Dimensions are in inches (mm). Tolerances: 2 Pl. $\pm .100$; 3 Pl. $\pm .015$

Notes:

1. Case material: Brass & Aluminum alloy.
2. Case Finish: Powder coated.
3. Refer to the individual model data sheet for the type of connectors available.



P.O. Box 350166, Brooklyn, New York 11235-0003 (718) 934-4500 Fax (718) 332-4661 For detailed performance specs & shopping online see Mini-Circuits web site



The Design Engineers Search Engine Provides ACTUAL Data Instantly From MINI-CIRCUITS At: www.minicircuits.com

RF/IF MICROWAVE COMPONENTS