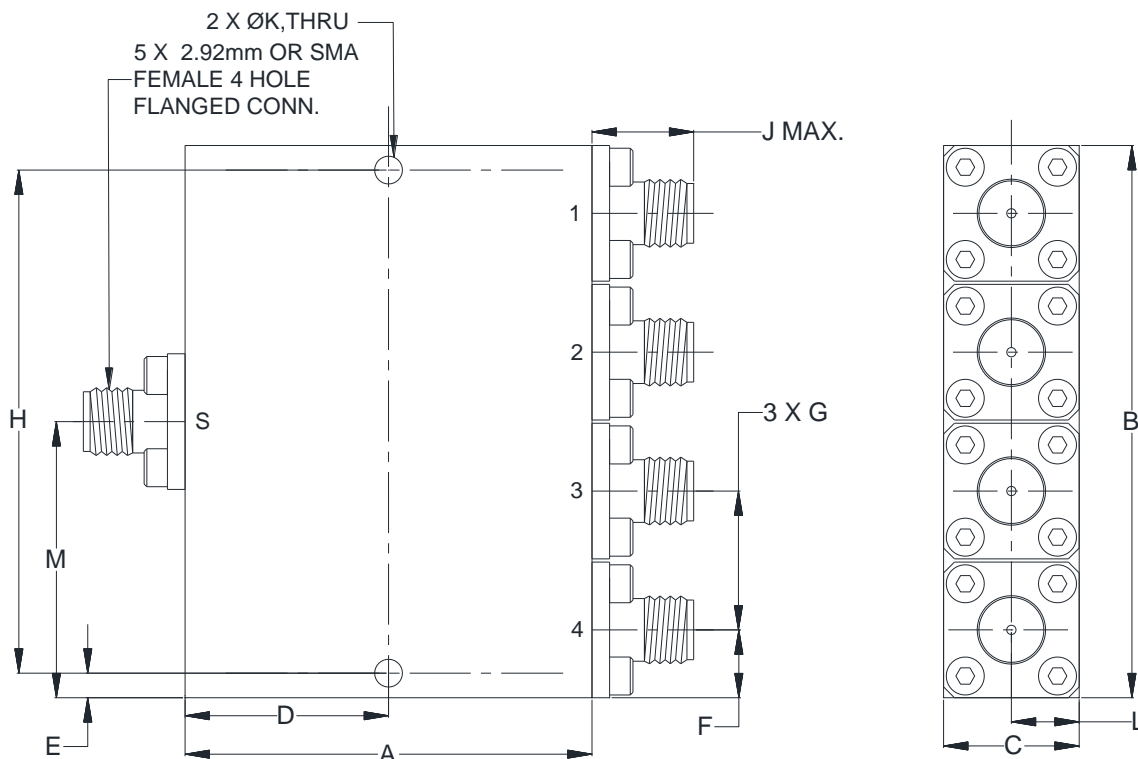


Outline Dimensions

UU2413-3



CASE#	A	B	C	D	E	F	G	H	J	K	L	M
UU2413-3	1.50 (38.10)	2.04 (51.70)	.50 (12.70)	.750 (19.05)	0.091 (2.30)	.25 (6.35)	.51 (13.0)	1.854 (47.10)	.43 (11.0)	.100 (2.60)	.25 (6.35)	1.02 (25.85)

CASE#	WT. GRAMS
UU2413-3	110

Dimensions are in inches (mm). Tolerances: 2 Pl. \pm .03; 3 Pl. \pm .015

Notes:

1. Case material: Aluminum alloy.
2. Case finish: Painting Color: Blue.
3. Refer to the individual model data sheet for the type of connectors available.



P.O. Box 350166, Brooklyn, New York 11235-0003 (718) 934-4500 Fax (718) 332-4661 For detailed performance specs & shopping online see Mini-Circuits web site



The Design Engineers Search Engine Provides ACTUAL Data Instantly From MINI-CIRCUITS At: www.minicircuits.com

RF/IF MICROWAVE COMPONENTS