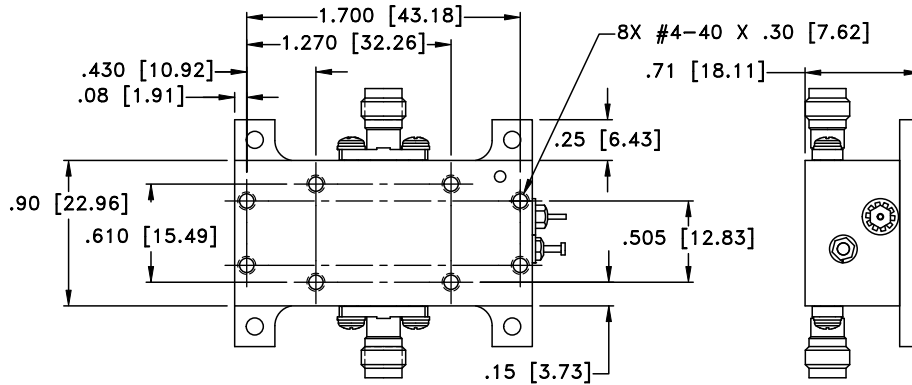


OQWPVKP I KPHQTOCVKQP'QH"OQFGN" YK VJ QWV" JGCVUKPM



Y gki j v< 3570'i tco u="Y kj qw'j gcvukpm'690'i tco u

F ko gpukqpu'ctg'lp'kpej gu"*o o +0Vqngtcpegu<4"Rr0025=5"Rr00237

Pqvgu<

30 Ecug"o cvgtkn<Cnwo kpwo

40 Ecug'hpkuj <I qrf 'r rcvkpi

50 J gcv'ukpm'hpkuj <Drcem'cpqf k g

60 Tghgt "v'j g'lpf kxk wcn'o qf gnlf cve"uj gg'v'ht "j g'v' r g'qh'eappgevtu'cxckrcdrg

70 Uj cr g'qh'eappgevt'hcpi g'o c { "xct {



P.O. Box 350166, Brooklyn, New York 11235-0003 (718) 934-4500 Fax (718) 332-4661 For detailed performance specs & shopping online see Mini-Circuits web site

The Design Engineers Search Engine Provides ACTUAL Data Instantly From MINI-CIRCUITS At: www.minicircuits.com



RF/IF MICROWAVE COMPONENTS