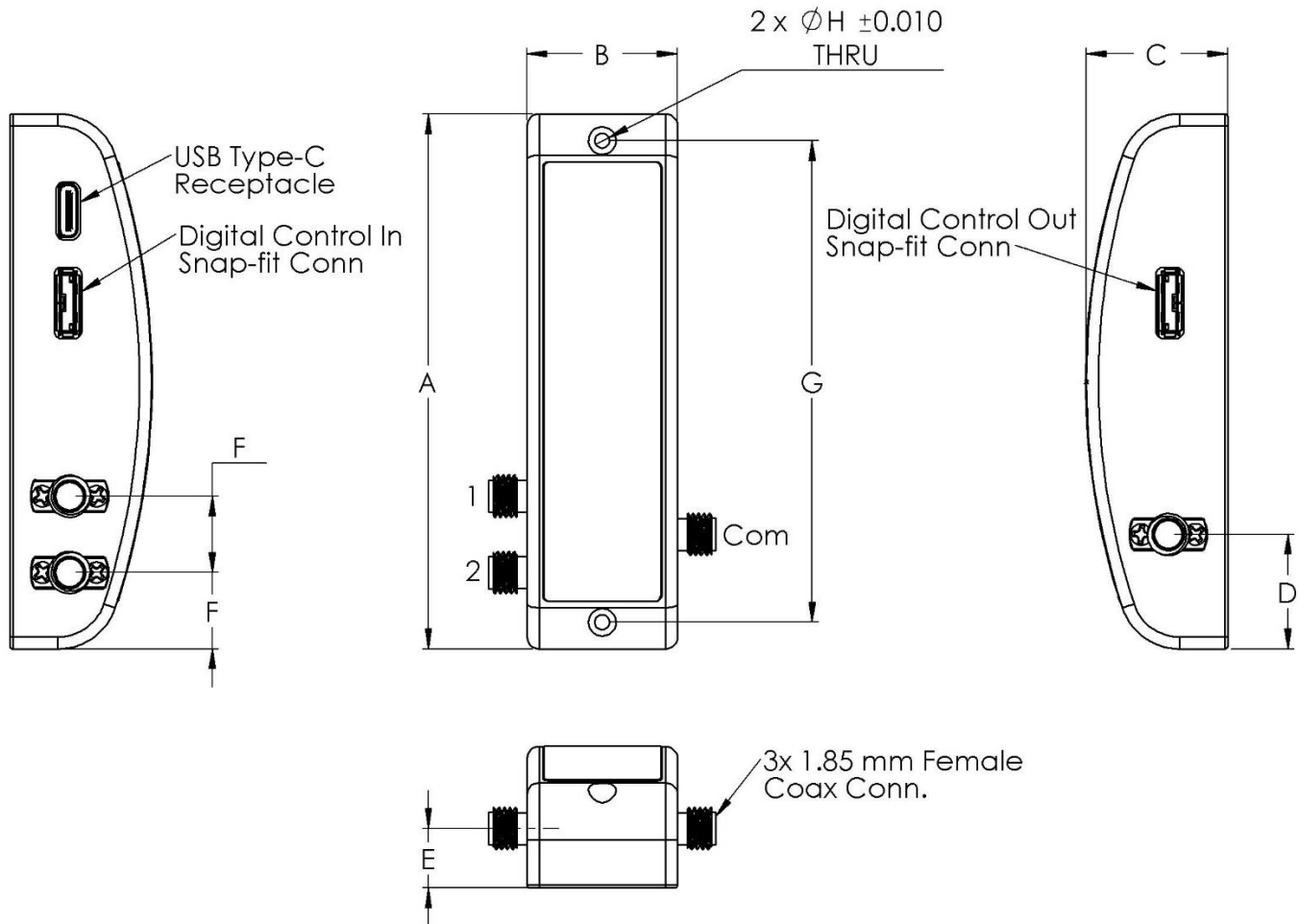


Case Style

WP

Outline Dimensions

WP3211



CASE#	A	B	C	D	E	F	G	H	WT. GRAMS
WP3211	3.500 (88.9)	.984 (25.0)	.925 (23.5)	.750 (19.0)	.389 (9.9)	.500 (12.7)	3.150 (80.0)	.096 (2.44)	94

Dimensions are in inches (mm). Tolerances: 2PL. +/- .03; 3PL. +/- .015

Notes:

1. Case material: Nickel Plated Aluminum.



www.minicircuits.com P.O. Box 350166, Brooklyn, NY 11235-0003 (718) 934-4500 sales@minicircuits.com