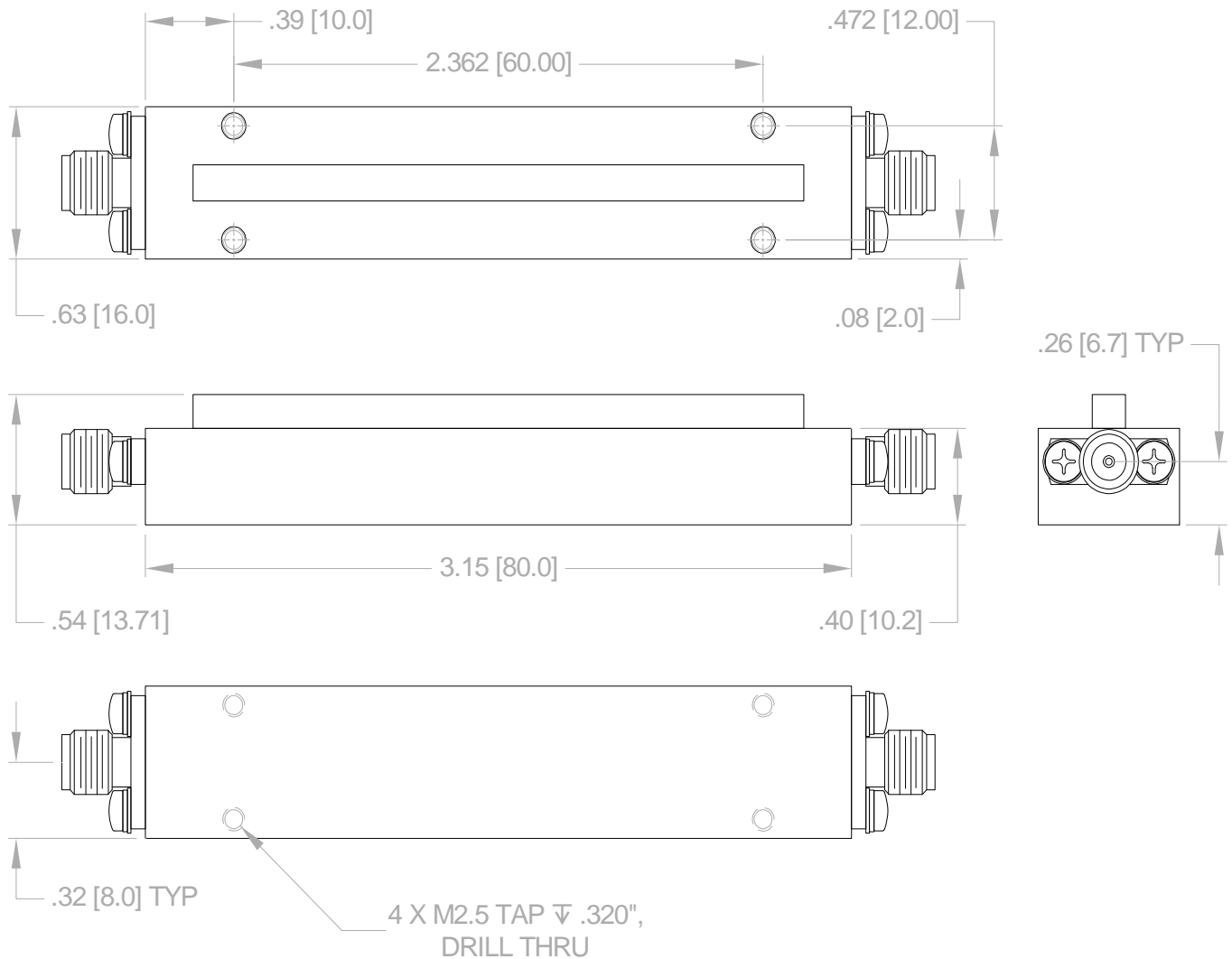


Outline Dimensions

ZT3578



Dimensions are in inches [mm]. Tolerances: 2 Pl. \pm .100; 3 Pl. \pm .015

Notes:

1. Case material: Brass.
2. Case Finish: Powder coated.
3. Unit Weight: 100 Grams.
4. Refer to the individual model data sheet for the type of connectors available.

Mini-Circuits®
ISO 9001 ISO 14001 CERTIFIED

ALL NEW
minicircuits.com

P.O. Box 350166, Brooklyn, New York 11235-0003 (718) 934-4500 Fax (718) 332-4661 For detailed performance specs & shopping online see Mini-Circuits web site



The Design Engineers Search Engine Provides ACTUAL Data Instantly From MINI-CIRCUITS At: www.minicircuits.com

RF/IF MICROWAVE COMPONENTS