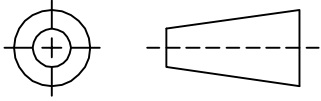


THIRD ANGLE PROJECTION

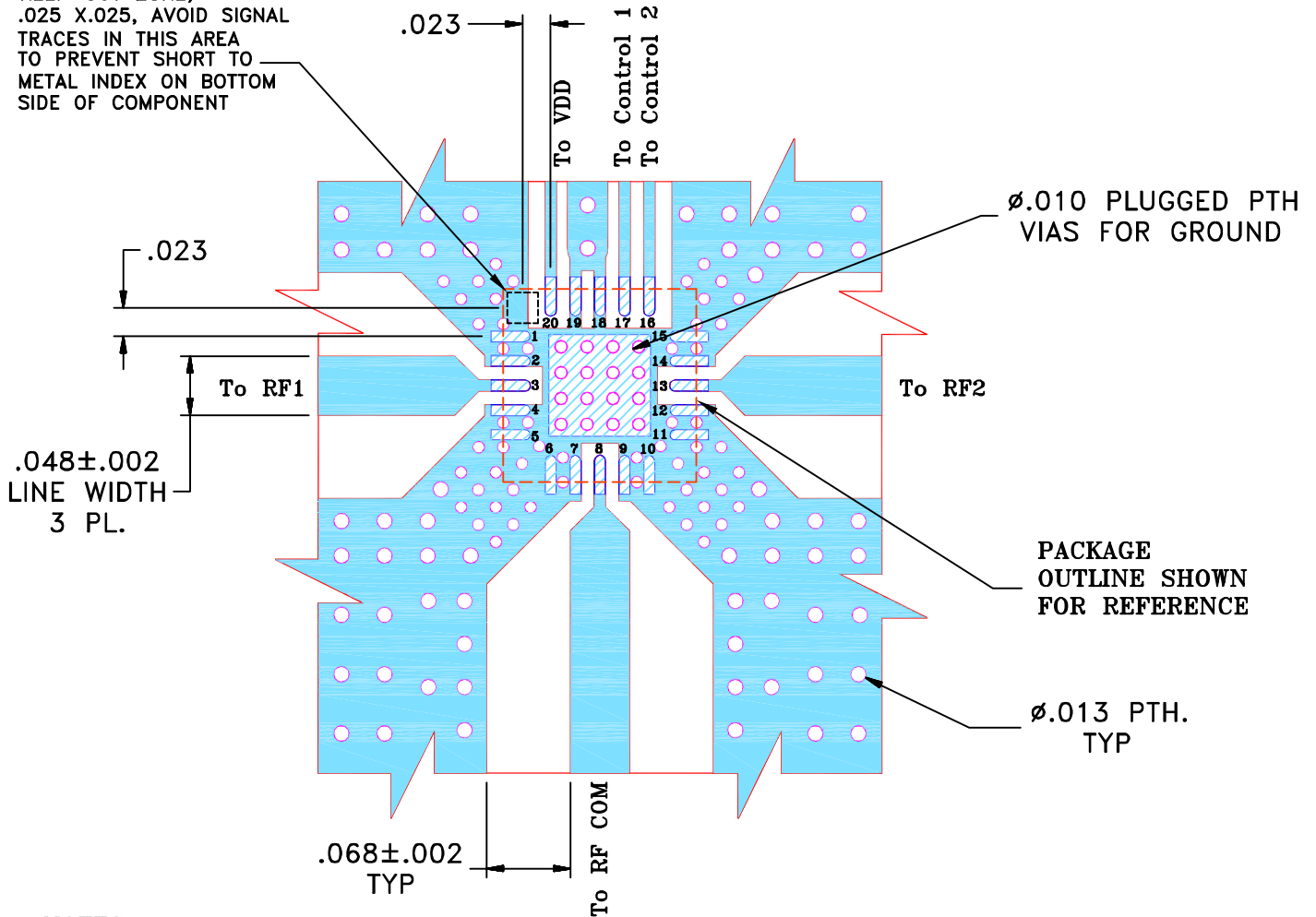


REVISIONS

REV	ECN No.	DESCRIPTION	DATE	DR	AUTH
B	M101674	UPDATE LAYOUT	11/05	DK	HH
C	M118768	UPDATE DIMENSION	07/08	HB	KN
D	M124175	PLUG VIAS UNDER UNIT	08/09	EM	HH
D	R77446	PLUG VIAS UNDER UNIT	08/09	EM	HH

**SUGGESTED MOUNTING CONFIGURATION**  
**FOR DG983-1 CASE STYLE, ra PIN CONNECTIONS, 50 Ω.**

KEEP-OUT ZONE,  
 .025 X.025, AVOID SIGNAL  
 TRACES IN THIS AREA  
 TO PREVENT SHORT TO  
 METAL INDEX ON BOTTOM  
 SIDE OF COMPONENT



**NOTES:**

- TRACE WIDTH IS SHOWN FOR FR4 WITH DIELECTRIC THICKNESS. .025"±.002". COPPER: 1/2 OZ. EACH SIDE. FOR OTHER MATERIALS TRACE WIDTH MAY NEED TO BE MODIFIED.
- BOTTOM SIDE OF THE PCB IS CONTINUOUS GROUND PLANE.

- DENOTES PCB COPPER LAYOUT WITH SMOBC (SOLDER MASK OVER BARE COPPER)
- DENOTES COPPER LAND PATTERN FREE OF SOLDERMASK

UNLESS OTHERWISE SPECIFIED	INITIALS	DATE
DIMENSIONS ARE IN INCHES	DRAWN HB	23.07.08
TOLERANCES ON:	CHECKED YB	23.07.08
2 PL DECIMALS ±	APPROVED KN	23.07.08
3 PL DECIMALS ± .005		
ANGLES ±		
FRACTIONS ±		

**Mini-Circuits®** 13 Neptune Avenue  
 Brooklyn NY 11235

PL, ra, DG983-1, HSWA  
 TB-347 (50 Ω)

SIZE	CODE IDENT	DRAWING NO:	REV:
A	15542	98-PL-206	D
FILE:	98PL206	SCALE: 7:1	SHEET: 1 OF 1

Mini-Circuits®  
 THIS DOCUMENT AND ITS CONTENTS ARE THE PROPERTY OF MINI-CIRCUITS. EXCEPT FOR THE USE EXPRESSLY GRANTED, IN WRITING, TO ITS VENDORS, VENDEE AND THE UNITED STATES GOVERNMENT, MINI-CIRCUITS RESERVES ALL PROPRIETARY DESIGN, USE, MANUFACTURING AND REPRODUCTION RIGHTS THERETO. THESE CONTENTS SHALL NOT BE USED, DUPLICATED OR DISCLOSED TO ANY OUTSIDE PARTY, IN WHOLE OR IN PART, WITHOUT WRITTEN PERMISSION OF MINI-CIRCUITS.