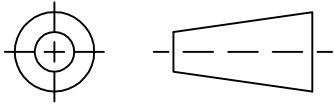


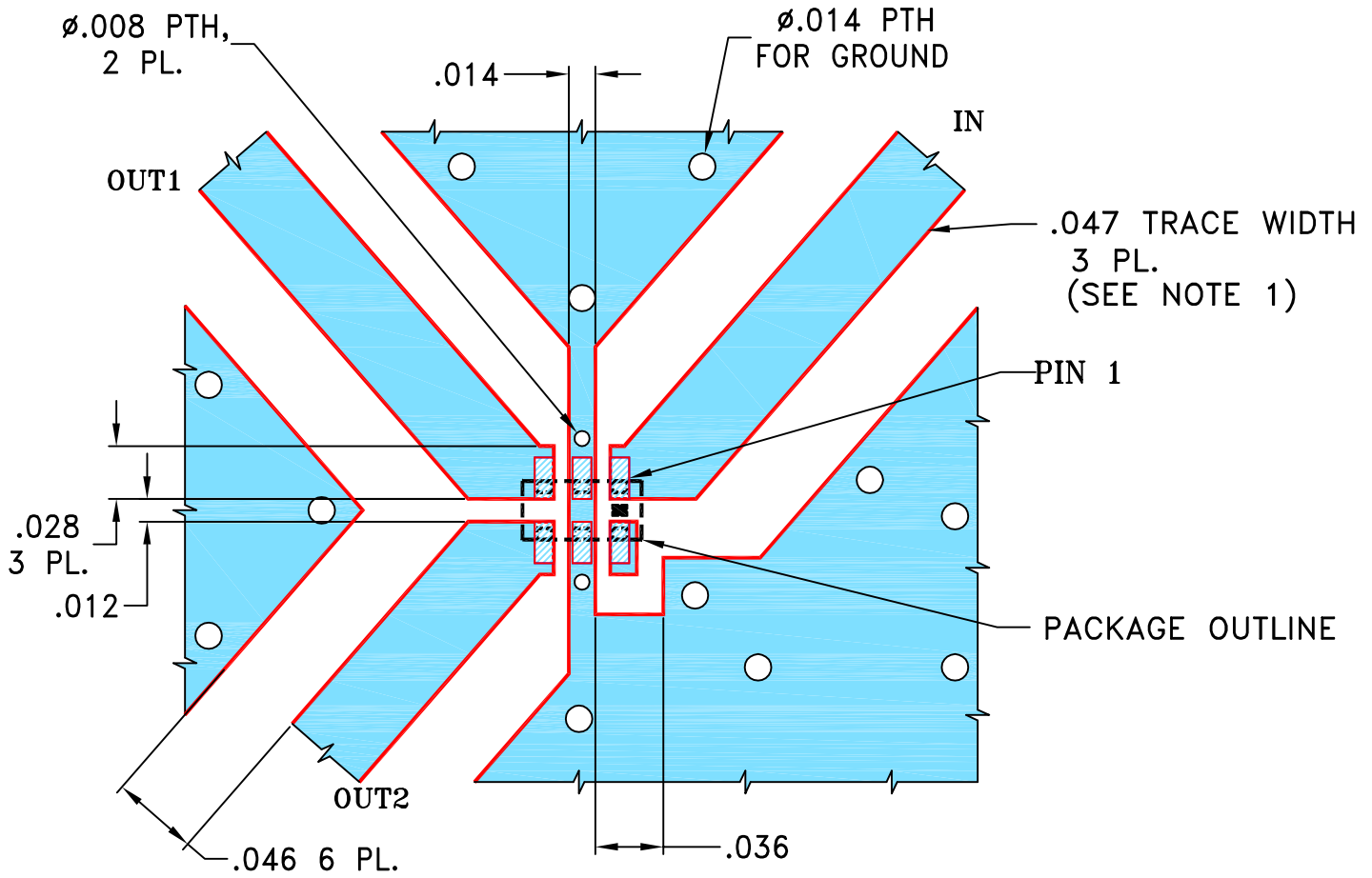
THIRD ANGLE PROJECTION



REVISIONS

REV	ECN No.	DESCRIPTION	DATE	DR	AUTH
OR	M168200	NEW RELEASE	05/31/18	NP	SL

**SUGGESTED MOUNTING CONFIGURATION
FOR JC0603C CASE STYLE, "06TJ08" PIN CODE**



NOTES:

- TRACE WIDTH IS SHOWN FOR ROGERS R04233 WITH DIELECTRIC THICKNESS $.020 \pm .0015$. COPPER: 1/2 OZ. EACH SIDE. FOR OTHER MATERIALS TRACE WIDTH & GAP MAY NEED TO BE MODIFIED.
- BOTTOM SIDE OF THE PCB IS CONTINUOUS GROUND PLANE.



DENOTES PCB COPPER LAYOUT WITH SMOBC (SOLDER MASK OVER BARE COPPER).



DENOTES COPPER LAND PATTERN FREE OF SOLDER MASK.

UNLESS OTHERWISE SPECIFIED	INITIALS	DATE
DIMENSIONS ARE IN INCHES	DRAWN NP	05/30/18
TOLERANCES ON:	CHECKED GF	05/30/18
2 PL DECIMALS ±	APPROVED SL	05/31/18
3 PL DECIMALS ± .005		
ANGLES ±		
FRACTIONS ±		

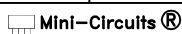


Mini-Circuits®

13 Neptune Avenue
Brooklyn NY 11235

PL, 06TJ08, JC0603C, TB-1015+

THIS DOCUMENT AND ITS CONTENTS ARE THE PROPERTY OF MINI-CIRCUITS. EXCEPT FOR USE EXPRESSLY GRANTED, IN WRITING, TO ITS VENDORS, VENDEE AND THE UNITED STATES GOVERNMENT, MINI-CIRCUITS RESERVES ALL PROPRIETARY DESIGN, USE, MANUFACTURING AND REPRODUCTION RIGHTS THERETO. THESE CONTENTS SHALL NOT BE USED, DUPLICATED OR DISCLOSED TO ANY OUTSIDE PARTY, IN WHOLE OR IN PART, WITHOUT WRITTEN PERMISSION OF MINI-CIRCUITS.



SIZE A	CODE IDENT 15542	DRAWING NO: 98-PL-561	REV: OR
FILE: 98PL561	SCALE: 10:1	SHEET: 1 OF 1	