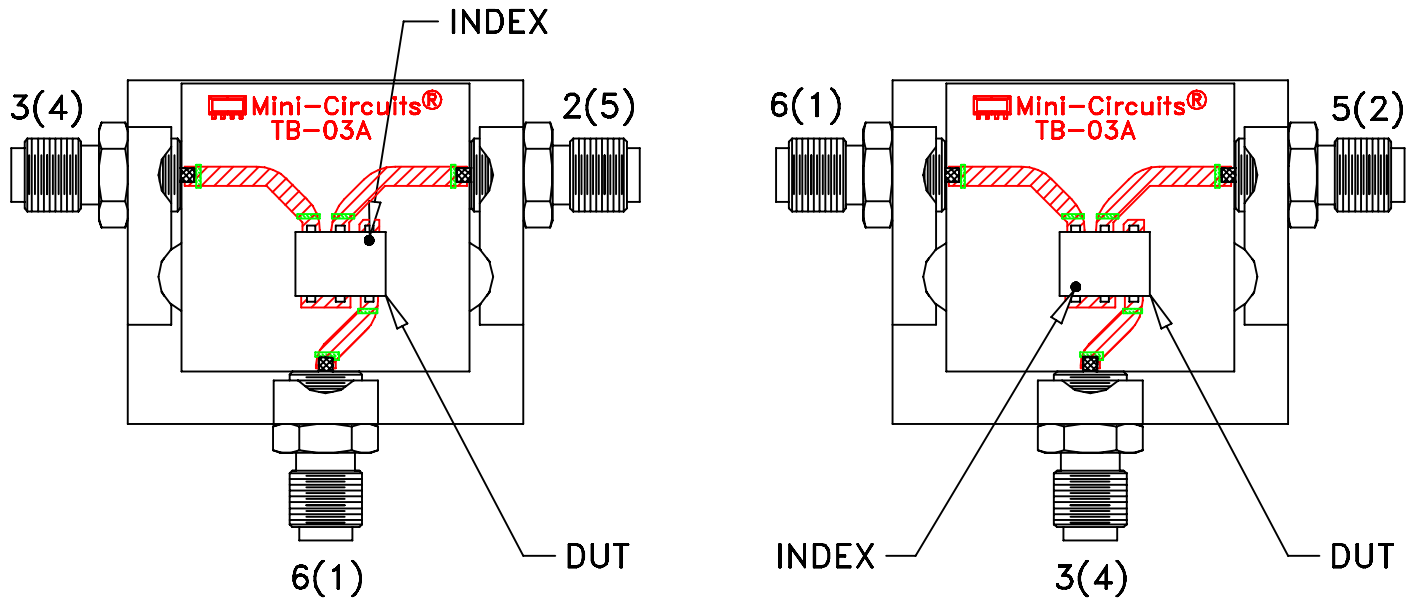
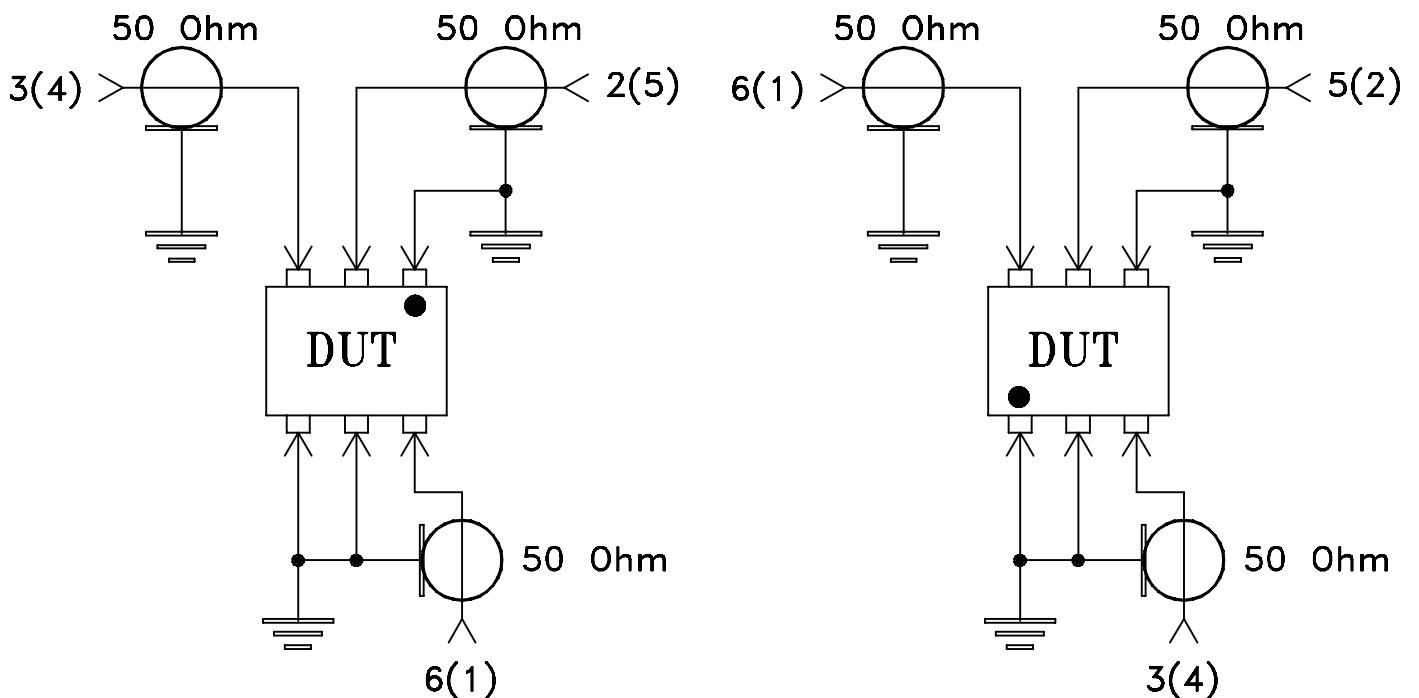


Evaluation Board and Circuit

For Pin Connections and DUT Orientation Refer to
Data Sheet of the DUT




TB-03



Schematic Diagram

Notes:

1. 50 Ohm SMA Female connectors.
2. PCB Material: Rogers R04350 or equivalent,
Dielectric Constant=3.5, Thickness=.030 inch.

 **Mini-Circuits®**