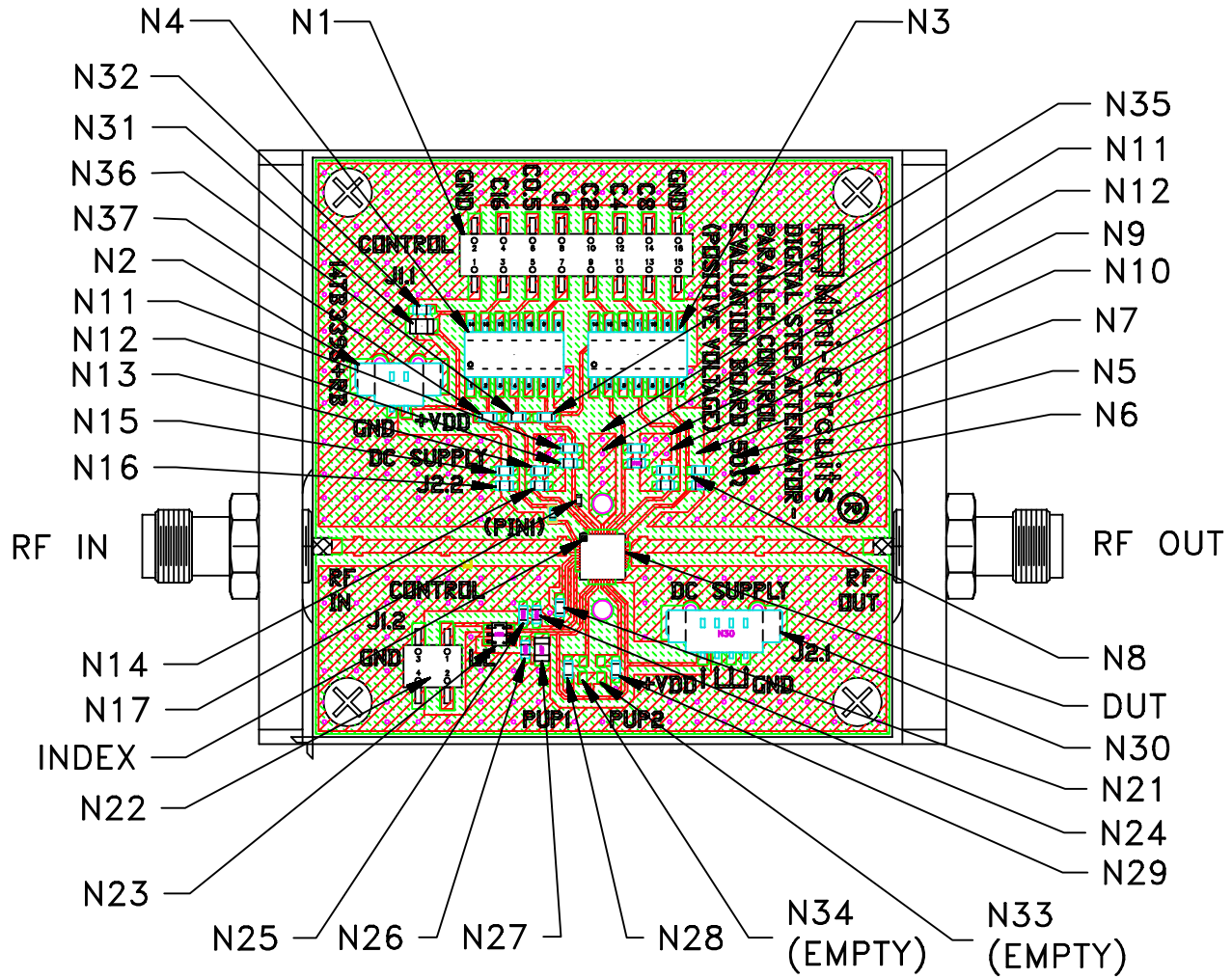


# Evaluation Board and Circuit

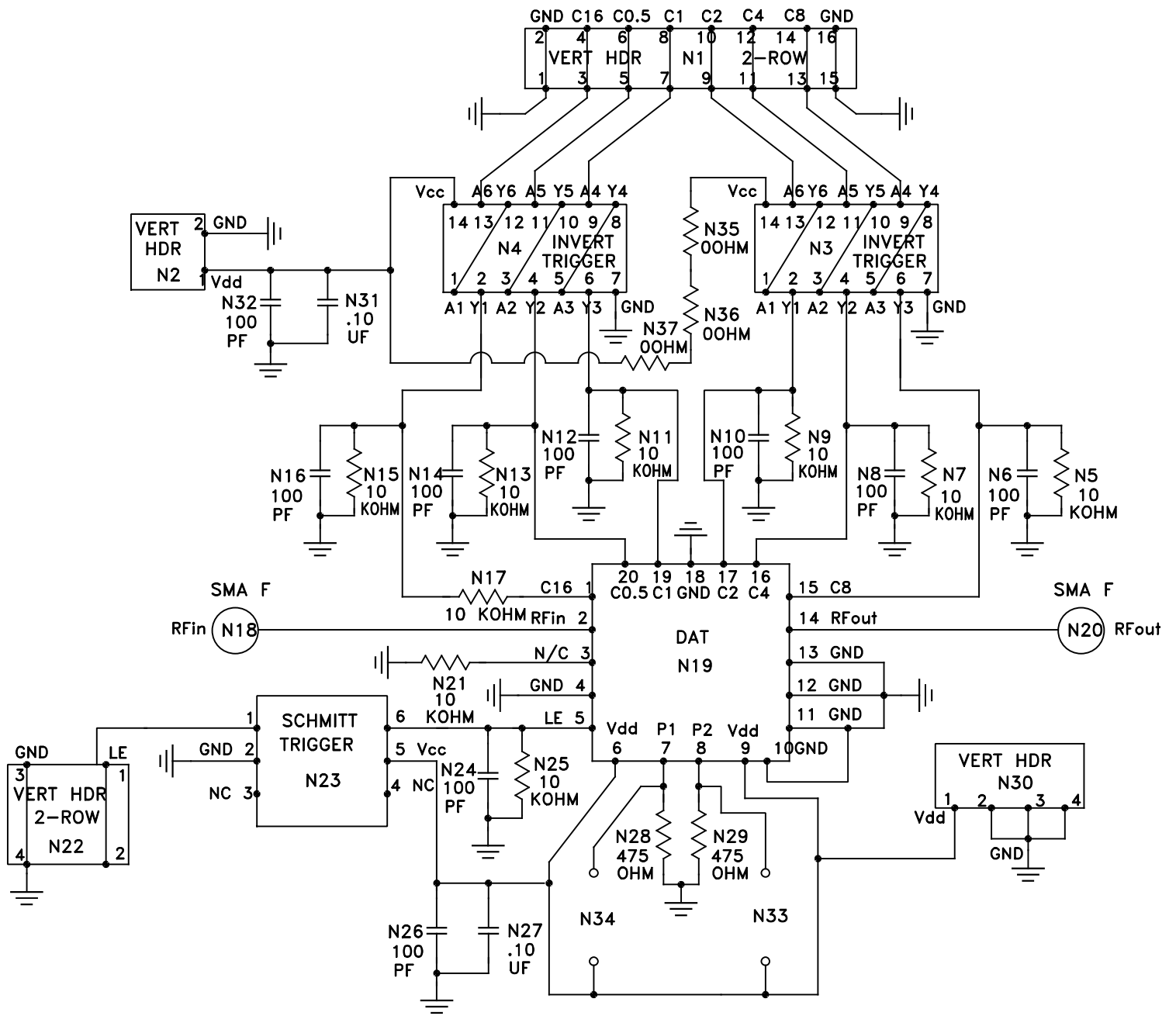


TB-339

**Notes:**

1. N-Type Female connectors.
2. PCB Material: FR4 Grade IT 180TC (ITEQ Corporation) or equivalent, Dielectric Constant=4.7, Thickness=.025 inch.





Schematic Diagram