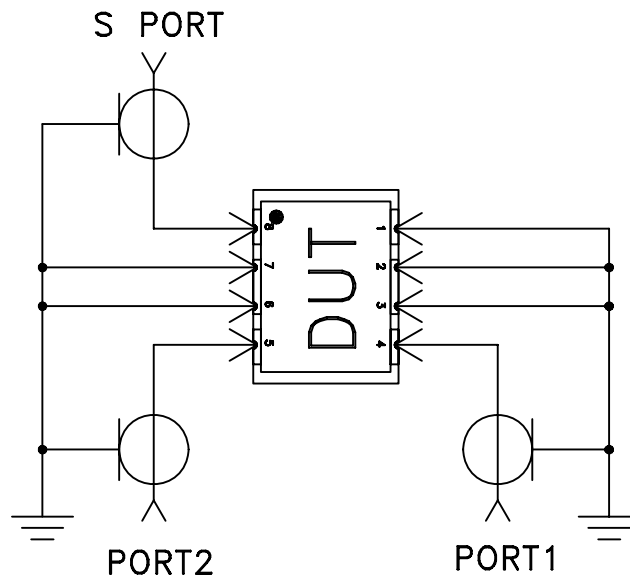
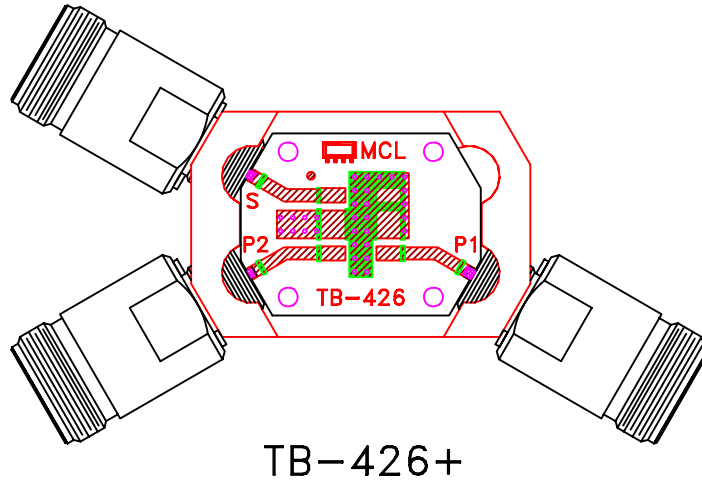



Evaluation Board and Circuit



Schematic Diagram

Notes:

1. 75 Ohm N-type Female connectors.
2. PCB Material: Rogers R04350 or its equivalent, Dielectric Constant=3.5, Thickness=.060"

 Mini-Circuits®